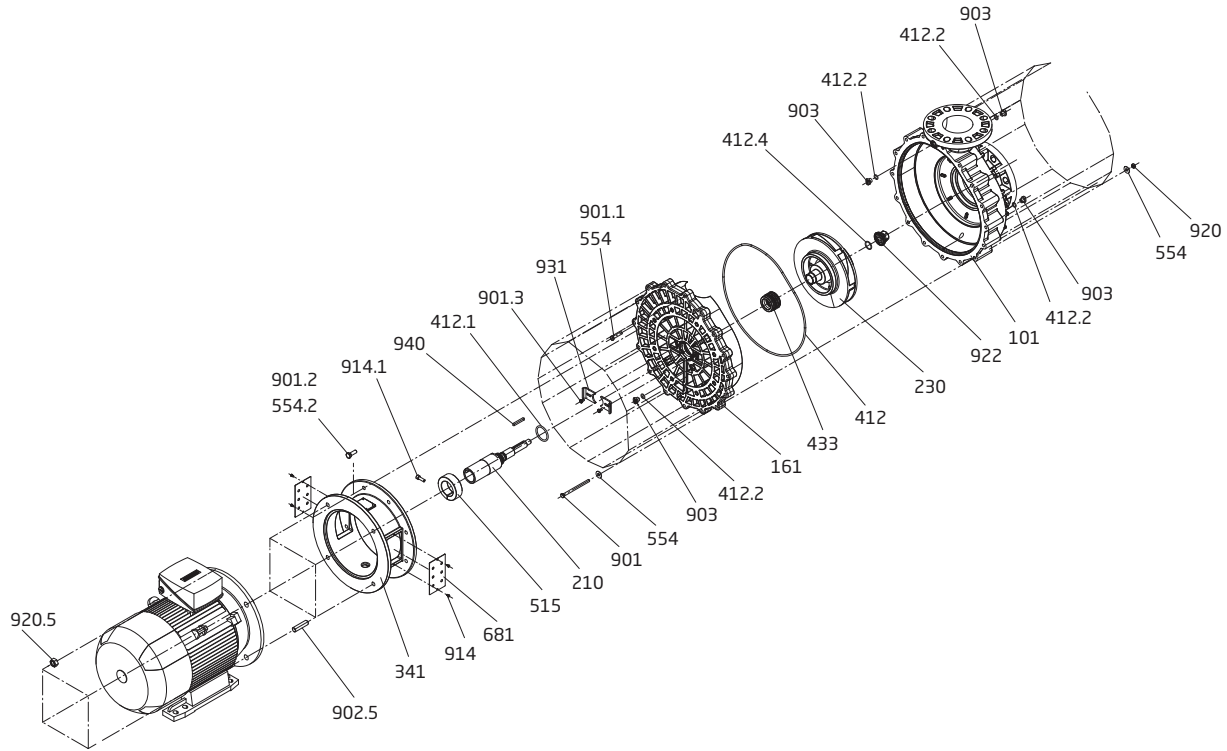


# Normblock Multi Series (Model 65/250)



All Polyurethane Pump



Order#	Drawing #	Description	List Price (\$)
7201110111	101	Casing CPL	913.90
7201116100	161	Seal Housing	642.40
7201421042	210	Pump Shaft CPL	528.30
7201123000	230	Impeller (7.5 HP) 225mm	565.40
7201123000A	230	Impeller (10.0 HP) 240mm	565.40
7201434140	341	Motor Lantern CPL BG 132	526.10
7201141201	412	O-ring - 355 x 5mm, NBR	9.00
7201141240	412.1	O-ring - 22 x 2mm, NBR	0.60
2923541220	412.2	O-ring - 12 x 2.5mm, NBR (x4)	0.70
2711040109	412.4	O-ring - 31.5 X 2.5mm	0.30
7201143300	433	Mechanical Seal (32mm) CPL- Carbon/SiC+EPDM	529.60
7201143302	433	Mechanical Seal (32mm) CPL- SiC/SiC+EPDM	559.00
7201451500	515	Shaft Collar	173.30
5871250800	554	Washer - 8.4mm, SS (x27)	2.30
5871251000	554.2	Washer - 10.5mm, SS (x8)	0.80
7201268103	681	Plate w/ SPECK Logo BG 132 (x2)	12.40
5879310920	901	Screw - M8 x 120mm, Hex SS (x13)	3.00
5879310865	901.1	Screw - M8 x 65mm, Hex SS	2.50
5879331030	901.2	Screw - M10 x 30mm, Hex SS (x8)	2.00
5879330610	901.3	Screw - M6 x 10mm, Hex SS (x2)	0.80

Order#	Drawing #	Description	List Price (\$)
5879391225	902.5	Stud - M12 x 25, SS (x4)	22.20
2923591201	903	Drain Plug - Black 1/4" (x4)	1.00
5879120406	914	Screw - M4 x 6, SS (x4)	0.70
5819120826	914.1	Screw - M8 x 25mm	2.60
5879340800	920	Nut - M8, SS (x13)	0.70
5879341200	920.5	Nut - M12, SS (x4)	4.50
7201192200	922	Impeller Nut	105.70
7201293100	931	Locking Tab (x2)	16.10
5878850664	940	Shaft Key 6 x 6 x 40	3.90

#### Optional Parts

Order#	Drawing #	Description	List Price (\$)
7363409031	Not Shown	Strainer Tank (4"x4") & Hardware	821.30
7300000040A	Not Shown	ANSI 3" Flange Kit*	133.60
7300000034A	Not Shown	ANSI 4" Flange Kit*	186.10

\* Please Note: The Flange Kits includes the following items: ANSI 150 Flange, Gaskets, & Hardware.