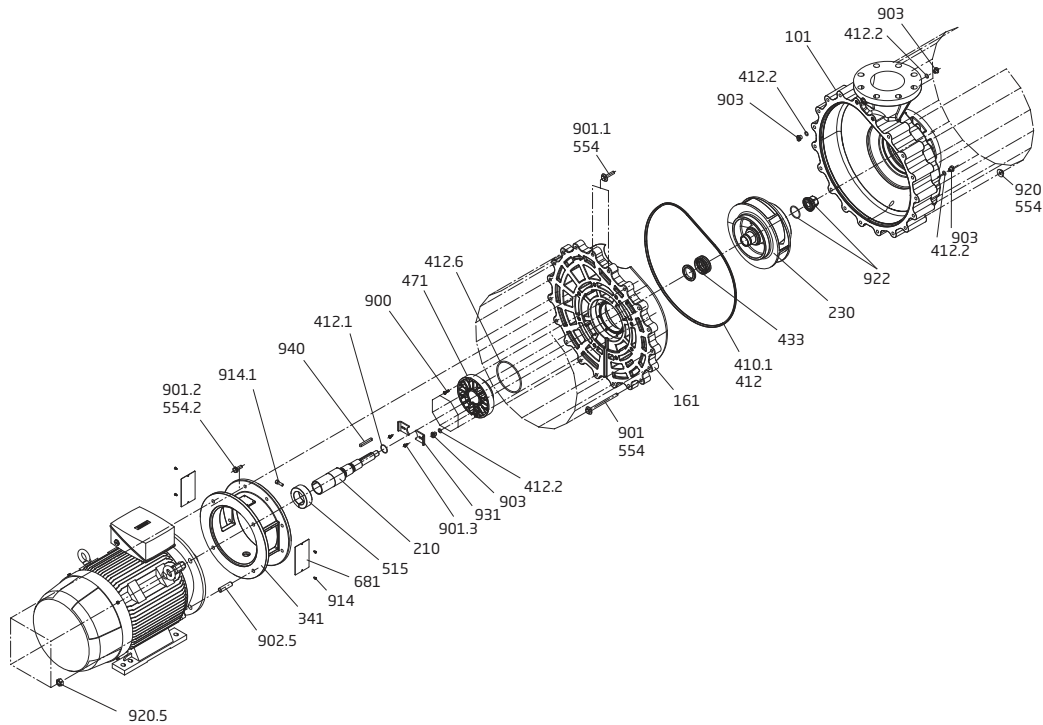


Normblock Multi Series (Model 125/250) **SPECK**

All Polyurethane Pump



Order#	Drawing #	Description	List Price (\$)
7201310106	101	Casing CPL	1,866.50
7201347102	161	Seal Housing	950.90
7201321040	210	Pump Shaft CPL BG 160	690.60
7201321041	210	Pump Shaft CPL BG 180	684.30
7201323000/235	230	Impeller (20.0 HP) 235mm	496.50
7201323000/245	230	Impeller (25.0 HP) 245mm	496.50
7201323000/255	230	Impeller (30.0 HP) 255mm	496.50
7201434141	341	Motor Lantern CPL BG 160+	684.30
7201341000	410.1	Gasket - Seal Housing 440 x 6mm, NBR	54.90
7201341240	412.1	O-ring - 30 x 2mm, NBR	1.60
2923541220	412.2	O-ring - 12 x 2.5mm, NBR (x4)	0.70
7201341260	412.6	O-ring - 120 x 4.5mm	8.20
7201343300	433	Mechanical Seal (45mm) CPL - Carbon/SiC+EPDM	704.80
7201343302	433	Mechanical Seal (45mm) CPL - SiC/SiC+EPDM	692.90
7201347100	471	Seal Housing Insert	110.40
7201451500	515	Shaft Collar	216.60
5879021100	554	Washer - 10.5 x 30mm, SS (x36)	0.80
5871251000	554.2	Washer - 10.5mm, SS (x8)	0.80
7201268103	681	Plate w/ SPECK Logo BG 132 (x2)	12.40
5879006023	900	Screw - M6 x 22mm (x8)	2.70
5879311150	901	Screw - M10 x 150mm, Hex SS (x17)	8.20

Order#	Drawing #	Description	List Price (\$)
5879311050	901.1	Screw - M10 x 50mm, Hex SS (x2)	4.50
5879331030	901.2	Screw - M10 x 30mm, Hex SS (x8)	2.00
5879330610	901.3	Screw - M6 x 10mm, Hex SS (x2)	0.80
5879391640	902.5	Stud - M16 x 40, SS (x4)	7.60
2923591201	903	Drain Plug - Black 1/4" (x4)	1.00
5879120406	914	Screw - M4 x 6, Hex SS (x4)	0.70
5819120826	914.1	Screw - M8 x 25mm	2.60
5879341000	920	Nut - M10, SS (x17)	0.80
5879341600	920.5	Nut - M16, SS (x4)	2.00
7201392202	922	Impeller Nut & Gasket	87.90
7201293100	931	Locking Tab (x2)	16.10
5878850879	940	Shaft Key 8 x 7 x 63	23.60

Optional Parts

Order#	Drawing #	Description	List Price (\$)
7201800001	Not Shown	Strainer Tank (8"x8") & Hardware	3,632.00
7201800125	Not Shown	Strainer Tank (8"x8"), Hardware & Flange	4,934.50
7300000050A	Not Shown	ANSI 5" Flange Kit*	363.00
7300000036A	Not Shown	ANSI 6" Flange Kit*	268.60
7300000038A	Not Shown	ANSI 8" Flange Kit*	353.00

* Please Note:

- The ANSI 5" Flange Kits includes the ANSI 150 flange, gaskets, hardware, & 5" to 6" coupling.
- The ANSI 6" & 8" Flange Kit includes the ANSI 150 flange, gaskets, & hardware.
- The DN250/10" Flange Kit includes the ANSI 150/PN10 flange, gaskets, & hardware.