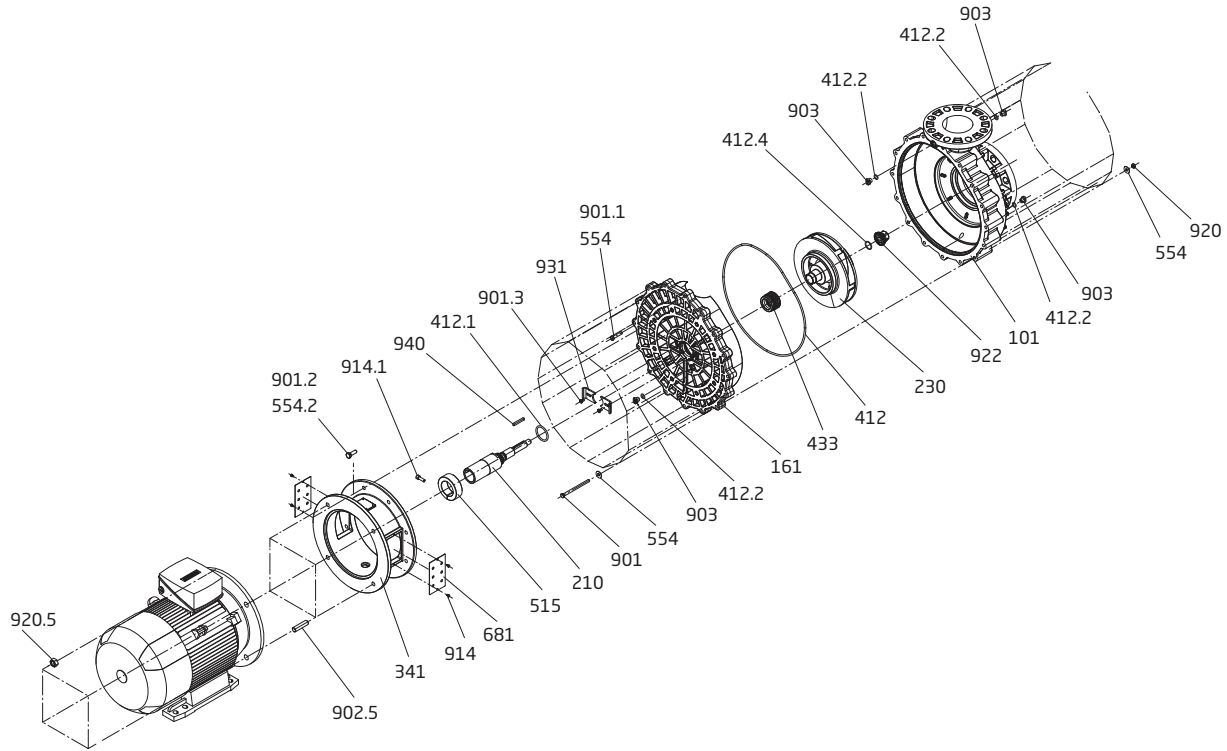


Normblock Multi Series (Model 100/250) **SPECK**

All Polyurethane Pump



Order#	Drawing #	Description	List Price (\$)
7201210106	101	Casing CPL	1,127.00
7201216100	161	Seal Housing	779.90
7201421041	210	Pump Shaft CPL	605.50
7201223000	230	Impeller (15.0 HP) 220mm	681.40
7201223000A	230	Impeller (20.0 HP) 240mm	681.40
7201434141	341	Motor Lantern CPL BG 160	684.30
7201241201	412	O-ring - 375 x 5mm, NBR	12.40
2319800843	412.1	O-ring - 24.5 x 2.4mm, NBR	0.30
2923541220	412.2	O-ring - 12 x 2.5mm, NBR (x4)	0.70
7201241200	412.4	O-ring - 37.5 x 2.65mm	2.00
1913314342	433	Mechanical Seal (38mm) CPL - Carbon/SiC+EPDM	508.60
1913314339	433	Mechanical Seal (38mm) CPL - SiC/SiC+EPDM	594.70
7201451500	515	Shaft Collar	216.60
5879021080	554	Washer - 8.4mm, SS (x31)	0.90
5871251000	554.2	Washer - 10.5mm, SS (x8)	0.80
7201268103	681	Plate w/ SPECK Logo BG 132 (x2)	12.40
5879310920	901	Screw - M8 x 120mm, Hex SS (x15)	3.00
5879310840	901.1	Screw - M8 x 40mm, Hex SS	1.30
5879331030	901.2	Screw - M10 x 30mm, Hex SS (x8)	2.00
5879330610	901.3	Screw - M6 x 10mm, Hex SS (x2)	0.80
5879391640	902.5	Stud - M16 x 40, SS (x4)	7.60

Order#	Drawing #	Description	List Price (\$)
2923591201	903	Drain Plug - Black 1/4" (x4)	1.00
5879120406	914	Screw - M4 x 6, SS (x4)	0.70
5819120826	914.1	Screw - M8 x 25mm	2.60
5879340800	920	Nut - M8, SS (x15)	1.00
5879341600	920.5	Nut - M16, SS (x4)	2.00
7201292200	922	Impeller Nut	105.70
7201293100	931	Locking Tab (x2)	16.10
5878850671	940	Shaft Key 6 x 6 x 50	19.80

Optional Parts

Order#	Drawing #	Description	List Price (\$)
7319B05008	Not Shown	Strainer Tank (6"x6") & Hardware	935.60
7201800001	Not Shown	Strainer Tank (8"x8") & Hardware	3,632.00
7201800100	Not Shown	Strainer Tank (8"x8"), Hardware & Flange	4,671.70
7300000034A	Not Shown	ANSI 4" Flange Kit*	186.10
7300000036A	Not Shown	ANSI 6" Flange Kit*	268.60
7300000038A	Not Shown	ANSI 8" Flange Kit*	353.00

* Please Note: The Flange Kits includes the following items: ANSI 150 Flange, Gaskets, & Hardware.