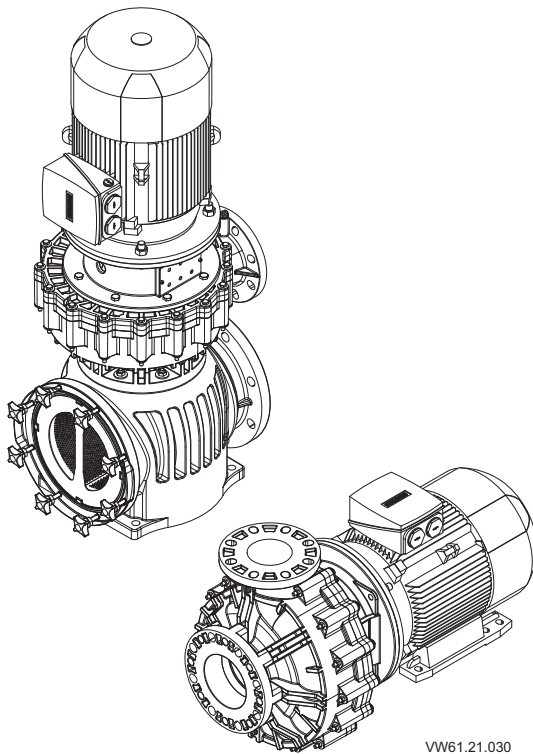


Operation manual

Normblock Multi
BADU® Block Multi

65/250, 100/250, & 125/250





8125 Bayberry Rd
Jacksonville, FL. 32256 USA
Phone: 904-739-2626
Fax: 904-737-5261
info@speck-pumps.com
www.speck-pumps.com

All rights reserved.
Contents may not be distributed, duplicated, edited or
transferred to third parties without the written
permission of SPECK Pumps.

This document and all attached documents are not
subject to update service!
Subject to technical modifications!

Table of contents

1	About this document	7
1.1	Using this manual.....	7
1.2	Target group.....	7
1.3	Other applicable documents.....	7
1.3.1	Symbols and means of representation	7
2	Safety	9
2.1	Intended use	9
2.1.1	Possible misuse	9
2.2	Personnel qualification	9
2.3	Safety regulations	10
2.4	Protective equipment	10
2.5	Structural modifications and spare parts	10
2.6	Signs	10
2.7	Residual risk.....	10
2.7.1	Falling parts.....	10
2.7.2	Rotating parts	11
2.7.3	Stability	11
2.7.4	Electrical energy.....	11
2.7.5	Hot surfaces	11
2.7.6	Hazardous materials	11
2.7.7	Suction danger	11
2.8	Faults	12
2.9	Preventing material damage	12
2.9.1	Leakage and pipe breakage	12
2.9.2	Dry running.....	12
2.9.3	Cavitation	12
2.9.4	Overheating.....	13
2.9.5	Pressure surges	13
2.9.6	Blockages in the pump.....	13
2.9.7	Drainage.....	13
2.9.8	Risk of frost	13
2.9.9	Water temperature	13
2.9.10	Deformation of the pump	14
2.9.11	Safe use of the product	14

Table of contents

3	Description	15
3.1	Function	15
3.2	Designation	16
3.3	Name plate.....	16
3.4	Design.....	16
3.4.1	Normblock Multi.....	16
3.4.2	BADU Block Multi	16
4	Transport and intermediate storage	17
4.1	Transport.....	17
4.1.1	Transporting the pump without the motor	17
4.2	Lifting the pump.....	17
4.3	Storage	19
4.4	Returns	20
5	Installation	21
5.1	Installation site	21
5.1.1	Installation surface	21
5.1.2	There must be ground drainage	21
5.1.3	Ventilation and aeration.....	21
5.1.4	Structure-borne and airborne noise transmission	21
5.1.5	Reserve space	21
5.1.6	Fasteners	21
5.2	Pipes.....	22
5.2.1	Pipe sizing.....	22
5.2.2	Laying pipes	22
5.3	Installation	23
5.3.1	Installing the pump and connecting it to the pipework	23
5.4	Electrical connection	24
5.5	Check the direction of rotation.....	25
6	Commissioning/Decommissioning	26
6.1	Commissioning.....	26
6.1.1	Pre-requisites for commissioning.....	26
6.1.2	Filling pump/unit with pumped fluid and ventilating.....	26
6.1.3	Checking how easily the pump rotates	27
6.1.4	Switching the pump on	27
6.1.5	Switching the pump off	27

6.2	Decommissioning.....	28
6.2.1	Pump/unit remains assembled	28
6.2.2	Pump/unit is disassembled and stored.....	28
7	Faults.....	29
7.1	Overview	29
8	Maintenance.....	34
8.1	Maintenance during operation	34
8.2	Maintenance work	34
8.2.1	Cleaning the BADU Block Multi strainer basket.....	35
8.2.2	Cleaning the BADU Block Multi acrylic lid	35
8.3	Draining/Cleaning.....	36
8.4	Disassembling of the pump/unit	36
8.4.1	Preparation.....	36
8.4.2	Dismantling pump/unit.....	36
8.4.3	Dismantling the motor	37
8.4.4	Dismantling motor unit.....	37
8.4.5	Dismantling pump housing	37
8.4.6	Dismantling the impeller and mechanical seal.....	38
8.5	Assembling pump/unit	38
8.5.1	Pre-requisites	38
8.5.2	Assembling meachanical seal	39
8.5.3	Assembling impeller	39
8.5.4	Assembling motor unit.....	39
8.5.5	Assembling motor.....	40
8.6	Screw torque	41
8.7	Spare parts	42
8.8	Warranty	42
9	Disposal.....	43
10	Technical data	44
10.1	Dimensional drawing	44
10.2	Characteristics	52
10.3	Exploded drawing.....	54
11	Index.....	56

Glossary

Unit

Pump built into the system.

Pressure line

Pipe connected to the pressure discharge.

Motor unit

Pump without housing.

Item number

The item numbers contained in the text e.g. (210) can be found in the exploded drawing.

Pump

Machine with motor.

Suction line

Pipe connected to the suction discharge.

Declaration of clearance

A declaration of clearance is a statement from the customer confirming that the product has been drained correctly should it need to be returned to the manufacturer. This is to certify that wetted parts do not pose a danger to health or the environment.

1 About this document

1.1 Using this manual

This manual is a component of the pump/unit. The pump/unit was manufactured and tested according to the generally accepted rules of technology. However, if the pump/unit is used incorrectly, not serviced enough or tampered with, danger to life and limb or material damage could result.

- ➔ Read the manual carefully before use.
- ➔ Keep the manual during the service life of the product.
- ➔ Provide access to the manual for operating and service personnel at all times.
- ➔ Pass the manual on to any future owners or operators of the product.

1.2 Target group

This instruction manual is intended for qualified professionals.
See point 2.2 on page 9

1.3 Other applicable documents

- Packing list
- Supplier documentation

1.3.1 Symbols and means of representation

Warnings are used in this manual to warn you of personal injury.

- ➔ Always read and observe warnings.

DANGER

Danger for people.
Non-observance results in death or serious injury.

WARNING

Danger for people.
Non-observance can result in death or serious injury.

CAUTION

Danger for people.
Non-observance can result in light to moderate injury.

NOTICE

Notes to prevent material damage, for better understanding or to optimise the workflow.

About this document

Important information and technical notes are specially marked to explain correct operation.

Symbol	Meaning
➔	Instructions for a one-step action.
1. 2.	Directions for a multi-step action. ➔ Observe the order of the steps.

2 Safety

2.1 Intended use

The pump/unit is intended for the circulation of swimming pool water.

Observing the following information is vital for intended use:

- This manual
- Supplier documentation

The pump/unit may only be operated within the application limits and characteristics, as specified in this manual.

Any other use or use exceeding this is **not** an intended use and must first be authorised by the manufacturer/supplier.

2.1.1 Possible misuse

- Installing the pump/unit with stress on the pipes.
- Using the pump/unit beyond the operating limits specified in the pump data sheet, e.g. excessive system pressure or pressure surges in the unit.
- Opening and servicing of the pump/unit by unqualified personnel.
- Operating the pump/unit in a partly assembled state.
- Operating the pump/unit without pumped fluid.
- Incorrect installation of the pump/unit.

2.2 Personnel qualification

This unit can be used by persons with limited physical, sensory or mental capacity or by people with a lack of experience or knowledge, provided that they are supervised or have been instructed in the safe use of the unit and understand the resulting dangers.

- ➔ Ensure that the following work is only performed by trained professionals with the following qualifications:
 - For mechanical work, for example replacing ball bearings or mechanical seals: qualified mechanics.
 - For work on the electric system: electricians.
- ➔ Ensure that the following requirements are fulfilled:
 - Personnel who do not yet have the appropriate qualifications must receive the required training before being allowed to work on the system.
 - The personnels' responsibilities, for example working on the product, electric equipment or hydraulic systems, are set based on their qualifications and the job description.

- The personnel have read this manual and understand the necessary working steps.

2.3 Safety regulations

The operator of the system is responsible for the adherence to all relevant statutory regulations and guidelines.

- ➔ Observe the following regulations when using the pump/unit:
 - This manual
 - Warning and information signs on the product
 - Other applicable documents
 - The valid national regulations for accident prevention
 - The internal occupational, operational and safety regulations of the operator

2.4 Protective equipment

Reaching into moving parts, e.g. coupling and/or impeller fan, can cause serious injury.

- ➔ Never operate the pump/unit without protective covers.

2.5 Structural modifications and spare parts

Alterations or modifications can affect operational safety.

- ➔ Never modify or alter the pump/unit without the manufacturer's permission.
- ➔ Only use original spare parts and accessories authorised by the manufacturer.

2.6 Signs

- ➔ Ensure that all the signs on the complete pump/unit remain legible.

2.7 Residual risk

2.7.1 Falling parts

The lifting hooks on the motor are designed for the weight of the motor. The lifting hooks can break if the complete pump unit is attached.

- ➔ Attach the pump unit consisting of motor, pump and filter housing (where necessary) on both the motor and the pump sides. See point 4.2 on page 17
- ➔ Only use hoisting and load-bearing equipment which is suitable and technically sound.
- ➔ Do not stand under suspended loads.

2.7.2 Rotating parts

There is a risk of shearing and crushing due to exposed rotating parts.

- ➔ Only perform servicing when the pump/unit is not in operation.
- ➔ Prior to servicing, ensure the pump/unit cannot be switched back on.
- ➔ Immediately after finishing servicing, reattach or reactivate all protective equipment.

2.7.3 Stability

- ➔ Ensure sufficient stability of the pump/unit. There is a danger of crushing due to tilting or falling over.

2.7.4 Electrical energy

There is an increased risk of electric shock when working on the electrical system due to the humid environment.

Electrical protective earth conductors which were not installed correctly can also result in electric shocks, for example due to oxidation or cable breakage.

- ➔ Observe VDE and utility company regulations.
- ➔ Build swimming pools and their protection according to DIN VDE 0100-702.
- ➔ Before working on the electrical system, take the following measures:
 - Disconnect system from the power supply.
 - Attach a warning sign: “Do not switch on! The system is being worked on.”
 - Ensure that the system is free of voltage.
- ➔ Check the electrical system regularly to ensure it is in proper working condition.

2.7.5 Hot surfaces

The electric motor can reach temperatures of up to 70 °C. There is a risk of being burned.

- ➔ Do not touch the motor during operation.
- ➔ Allow the pump/unit to cool down before servicing it.

2.7.6 Hazardous materials

- ➔ Ensure that leaks of dangerous pumped fluids/gases are led away without endangering people or the environment.
- ➔ Decontaminate the pump completely during disassembly.

2.7.7 Suction danger

Ensure that the suction openings conform to current guidelines, standards and instructions.

2.8 Faults

- In case of a fault, immediately switch the pump off and remove it from operation.
- Have all faults repaired immediately.

Seized pump

If a pump seizes, and is switched on several times repeatedly, the motor can be damaged. Observe the following points:

- Do not switch the pump/unit on repeatedly.
- Turn the motor shaft by hand. See point 6.1.3 on page 27.
- Clean pump.

2.9 Preventing material damage

2.9.1 Leakage and pipe breakage

Vibrations and thermal expansion can cause pipes to break.

- Install the pump/unit in a manner which reduces structure-borne and airborne noise transmission. When doing so, observe relevant regulations.

If the pipe forces are exceeded, leaks can occur at the screwed connection or the pump itself.

- Do not use the pump as a fixed point for the pipe line.
- Connect pipes free of load and mount them elastically. Install compensators.
- If the pump leaks, the unit may not be operated and must be disconnected from the mains power supply.

2.9.2 Dry running

If run dry, mechanical seals and synthetic parts can be destroyed within only a few seconds.

- Do not allow the pump to run dry. This also applies to checking the rotation direction.
- Purge air from pump and suction line prior to start-up.

2.9.3 Cavitation

Pipes which are too long increase resistance. This results in risk of cavitation.

- Ensure that the suction line does not leak.
- Observe the maximum pipe length.
- Only switch the pump on when the valve on the delivery side is opened halfway.
- Open the valve on the suction side completely.

2.9.4 Overheating

The following factors can result in the pump overheating:

- Excessive pressure on the delivery side.
- Motor overload switch set incorrectly.
- Ambient temperature which is too high.
- ➔ Do not operate the pump with the valves closed, minimum flow rate 10 % of Q_{\max} .
- ➔ For pumps with a three-phase motor and no motor protection, install an overload switch and set it correctly.
- ➔ Do not exceed the permitted ambient temperature of 40 °C.

2.9.5 Pressure surges

The pressure in the filter housing or pump housing (BADU Block) must not exceed 2.5 bar or 3.0 bar for the Normblock. Otherwise damage may occur to the acrylic glass lid or other pump parts.

- ➔ Install a non-return valve.
- ➔ The use of a frequency converter or a smooth start is recommended in order to rule out pressure surges on the unit side.

2.9.6 Blockages in the pump

Pieces of dirt in the suction line can clog and block the pump.

- ➔ Do not operate the pump without a strainer basket.
- ➔ Check how easily the pump rotates before starting it up and after longer idle or storage periods.
- ➔ Remove any impurities from the suction line.

2.9.7 Drainage

An insufficient drain gap can damage the motor.

- ➔ Do not block or seal the drain gap between the pump housing and the motor.
- ➔ Never assemble the unit with the motor positioned underneath.

2.9.8 Risk of frost

- ➔ Drain the pump/unit and pipes at risk of freezing in plenty of time.
- ➔ Remove the pump/unit during periods of frost and store it in a dry room.

2.9.9 Water temperature

The water temperature must not exceed 40 °C.

2.9.10 Deformation of the pump

Deformation of the pump must be avoided.

- ➔ Adhere to the assembly torques stipulated for the screws.
- ➔ The pump must be set up completely on the foundation.

2.9.11 Safe use of the product

Safe use of the product is no longer guaranteed in the following instances:

- ➔ If the pipework is not in proper condition.
- ➔ If the pump seizes. See point 2.8 on page 12
- ➔ If protective devices are damaged or missing, e.g. protection against accidental contact.
- ➔ If there is stress on the pump/unit or pipes during installation.
- ➔ If the pump/unit is not installed correctly.
- ➔ If there is a technical fault.

3 Description

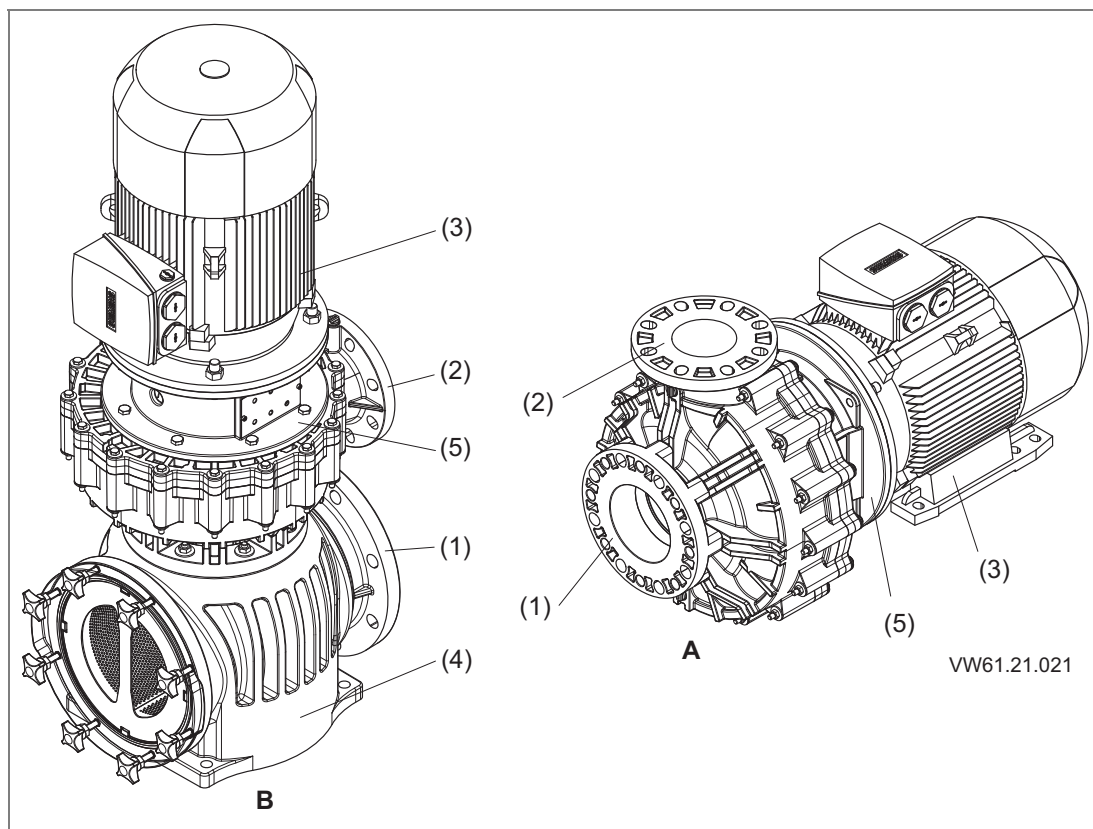


Fig. 1

A	Normblock Multi	B	BADU Block Multi
(1)	Suction discharge	(2)	Pressure discharge
(3)	Motor	(4)	Filter housing with strainer basket
(5)	Drive lantern		

3.1 Function

The pump draws the swimming pool water in via a shut-off valve in the suction line and suction discharge (1). A strainer basket is integrated in the filter housing (4) of the BADU Block Multi which filters out rough impurities. The water is pumped to the filter unit via the discharge outlet (2) and a shut-off valve in the pressure side. The drive shaft in the motor (3) is connected to the pump shaft. The motor (3) is connected to the pump with the drive lantern (5).

3.2 Designation

Example: Normblock Multi 100/250

Code	Description
Normblock Multi	Series
100	Nominal discharge nozzle diameter [mm]
250	Nominal impeller diameter [mm]

Example: BADU Block Multi 100/250

Code	Description
BADU Block Multi	Series
100	Nominal discharge nozzle diameter [mm]
250	Nominal impeller diameter [mm]

3.3 Name plate

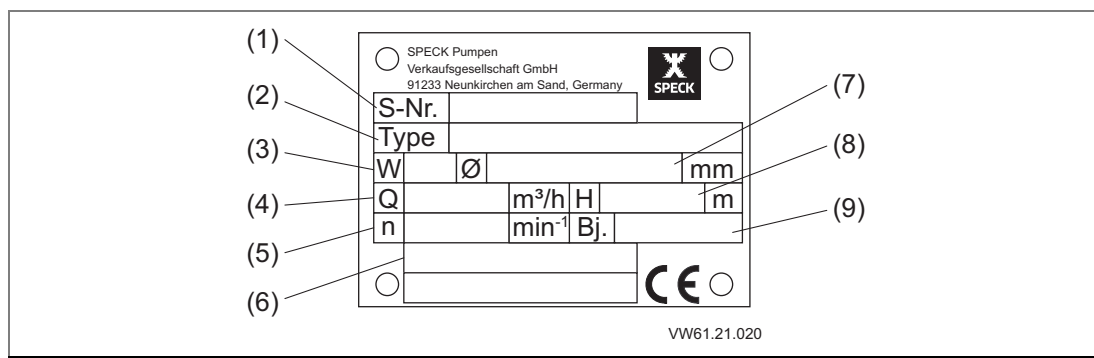


Fig. 2

(1)	Serial number	(2)	Series/construction size
(3)	Material version	(4)	Flow rate
(5)	Motor speed	(6)	Other
(7)	Impeller diameter	(8)	Dynamic head
(9)	Construction year		

3.4 Design

3.4.1 Normblock Multi

The Normblock Multi is a non-self-priming, single stage centrifugal pump, developed in a monoblock design.

A mechanical seal is used to seal the shaft.

3.4.2 BADU Block Multi

The BADU Block Multi is a non-self-priming, single stage centrifugal pump, developed in a vertical monoblock design. The pump and the pre-filter housing are joined together via the pump flange.

A mechanical seal is used to seal the shaft.

4 Transport and intermediate storage

4.1 Transport

- Check the delivery conditions.
 - Check the packaging for transport damage.
 - Determine damages and contact the manufacturer and the insurance company.

NOTICE

Damage to the mechanical seal due to improper transportation.

- Protect the pump shaft against displacement during transport with transport insurance.

4.1.1 Transporting the pump without the motor

The pump shaft (210) must be fixed.

- Disassemble the coupling protection (681) from the drive lantern.
- Loosen screws (901.3).
- Push the lock washers (931) into the shaft groove.
- Tighten screws (901.3).

4.2 Lifting the pump

DANGER

Goods being transported can fall and result in death or crushing of limbs!

The lifting hooks on the motor are designed for the weight of the motor. The lifting hooks can break if the complete pump unit is attached.

- Attach the hoisting equipment to both the motor and pump sides if hooks are provided.
- Use only hoisting and load-bearing equipment which is suitable, technically sound and can bear enough weight.
- Only transport the pump/unit in the correct position.
- Do not stand under suspended loads.
- The motor is the heaviest part of the pump.

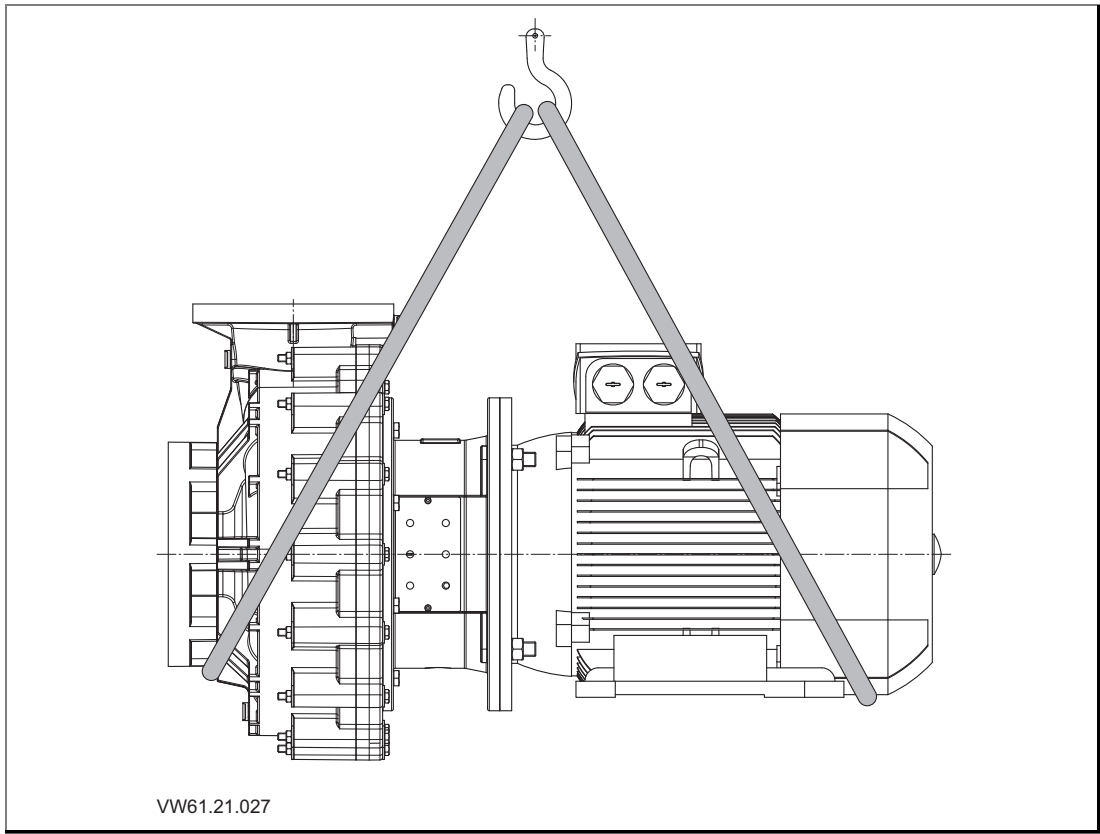


Fig. 3

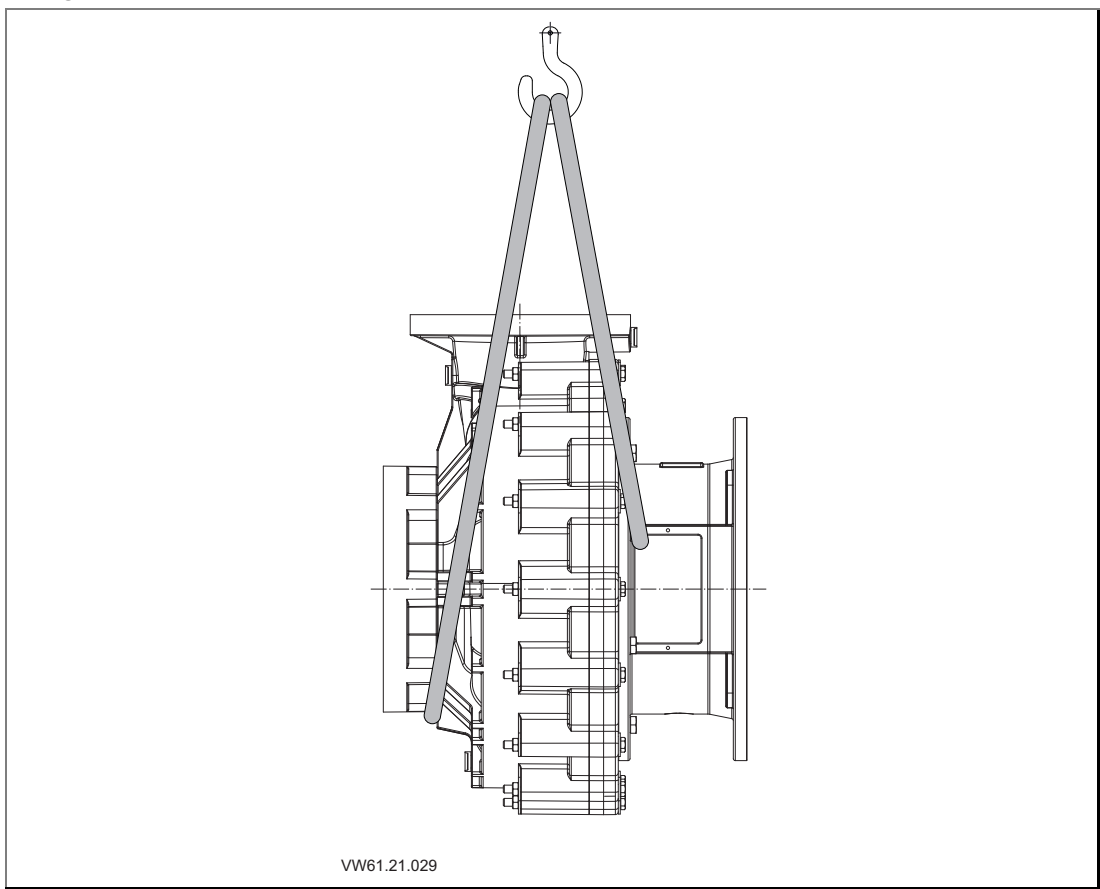


Fig. 4

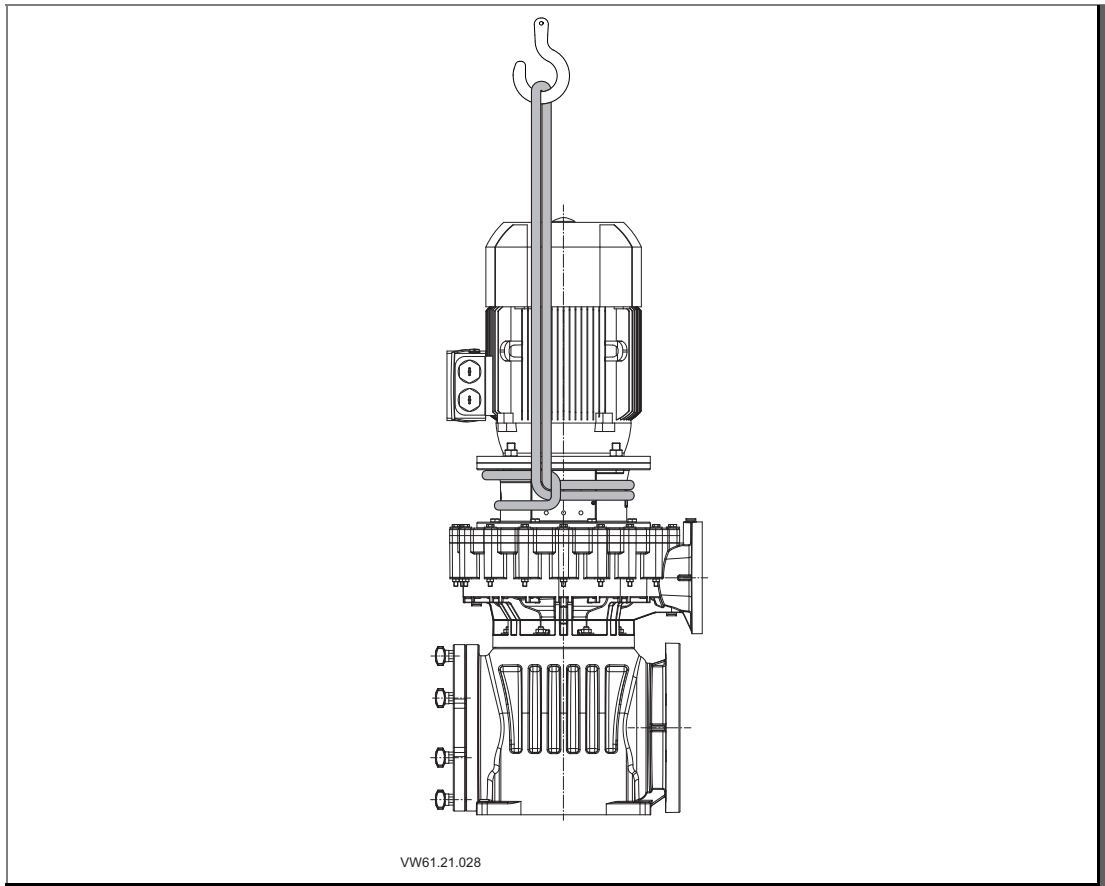


Fig. 5

4.3 Storage

NOTICE

Corrosion is possible due to storage in humid conditions with fluctuating temperatures!

Condensation can corrode windings and metal parts.

➔ Store the pump/unit in a dry environment at a temperature which is as constant as possible.

NOTICE

There is a risk of damage to the winding and entry of foreign matter due to open ports!

➔ Do not remove the port covers until the pipes are ready to be connected.

The shaft must be turned by hand once a week, for example via the motor fan or pump shaft.

New pumps/units are treated in the factory so that they are protected for 12 month when stored correctly.

For storage of units which have already been operated, See point 6.2.2 on page 28

4.4 Returns

- Drain the pump completely.
- Clean the pump and rinse it with clear water, especially with hazardous or risky pumped fluids.
- Complete the declaration of clearance and return it with the pump.

5 Installation

5.1 Installation site

5.1.1 Installation surface

- ➔ The installation surface must be level and horizontal in order to avoid damage.
- ➔ Observe weight indications!

5.1.2 There must be ground drainage

- ➔ Calculate the size of the ground drain according to the following criteria:
 - Size of the swimming pool.
 - Circulation flow rate.

5.1.3 Ventilation and aeration

- ➔ Ensure sufficient ventilation and aeration. The ventilation and aeration must ensure the following conditions:
 - Prevention of condensation.
 - Cooling of the pump motor and other system components, for example switch cabinets and control units.
 - Limitation of the ambient temperature to maximum 40 °C.

5.1.4 Structure-borne and airborne noise transmission

- ➔ Observe regulations for structural noise protection, for example DIN 4109.
- ➔ Install the pump in a manner which reduces structure-borne and airborne noise transmission. Vibration-absorbing materials are suitable bases. Examples:
 - Anti-vibration buffers (Normblock Multi)
 - Cork lining
 - Sufficiently hard foam

5.1.5 Reserve space

- ➔ Calculate the reserve space to allow the motor unit to be removed in the direction of the motor fan with the help of lifting equipment and the strainer basket to be removed from the front.

5.1.6 Fasteners

- ➔ Fasten pump using screws.

5.2 Pipes

5.2.1 Pipe sizing

Suction lines which are too long have significant disadvantages:

- Higher resistance which results in reduced suction performance and a higher risk of cavitation.

A minimum length of double the inner diameter of the suction flange must be planned for the calming section in front of the suction flange.

For longer pipes, losses due to pipe friction must be taken into account.

- ➔ The nominal diameter of the pipe must be planned according to the pump connections.
- ➔ Do not exceed maximum flow speeds.
 - Suction line: 1.5 m/s
 - Pressure line: 2.5 m/s

5.2.2 Laying pipes

- ➔ Keep the suction and pressure lines as short and straight as possible.
- ➔ Avoid sudden changes to the cross-section and direction.
- ➔ Lay the suction line below the water level.
- ➔ Lay the suction line as follows to prevent air pockets from forming:
 - For intake mode: continuously falling.
 - For suction operation mode: continuously rising.
- ➔ If clogging is possible, for example with straw or grass, install a filter in the intake or the suction line.
- ➔ Depending on the type of pump and system, install a non-return valve as necessary.
- ➔ Install a shut-off valve in both the suction and pressure lines.
- ➔ Avoid valves which close suddenly. Install a shock absorber or air vessel if necessary.
- ➔ Ensure that the suction line cannot leak.
- ➔ Adapters with large nominal diameters and approx. 8° extending angles should be used in order to avoid pressure loss.
- ➔ No stress or torque from the pipe system may affect the pump.

5.3 Installation

The pump should be installed below the water level (max. 3 m) in intake mode.

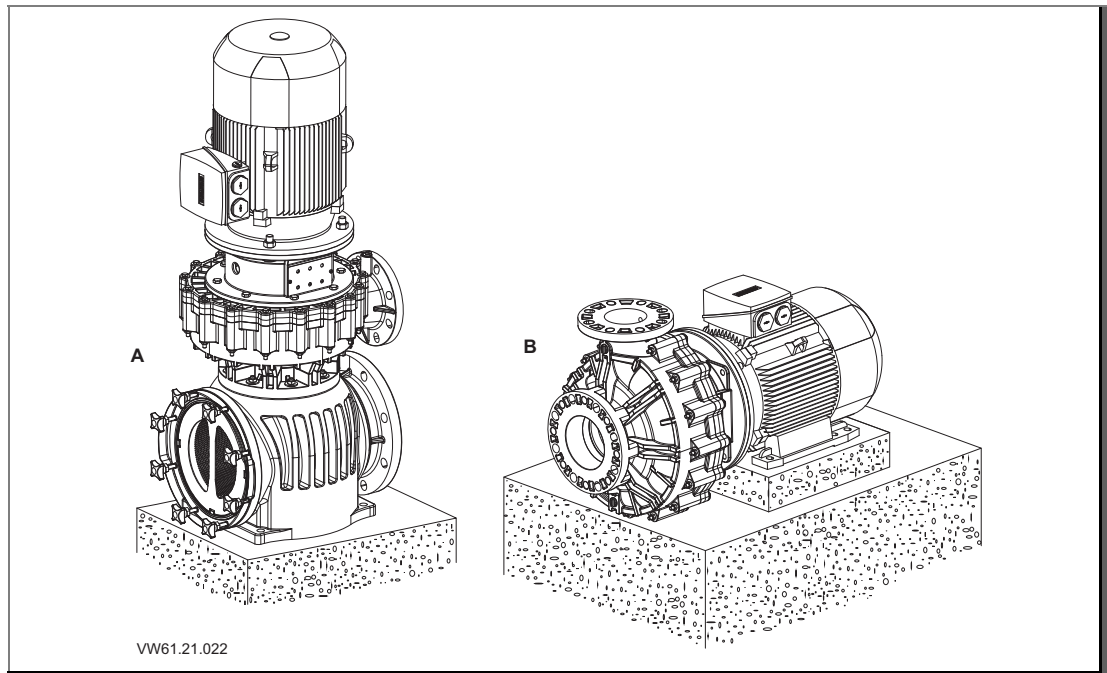


Fig. 6

A	BADU Block Multi	B	Normblock Multi
----------	------------------	----------	-----------------

The BADU Block Multi filter housing must be set up completely on the foundation.

The Normblock Multi must be set up so that the pump housing stands freely and is not supported. An elevation on the foundation must therefore be built for the assembly of the motor feet.

5.3.1 Installing the pump and connecting it to the pipework

1. When installing the pump, align the pump with the discharge outlet using a spirit level.
2. Clean and rinse the pump, pipes and connections thoroughly.

NOTICE

The motor can be damaged due to insufficient drainage!

- ➔ Do not block or seal the drain gap between the pump housing and the motor.

NOTICE

If it is sealed incorrectly, the thread can be damaged and the sealing effect can be reduced!

- ➔ Use Teflon tape for assembly.

NOTICE

The pump can be damaged by unauthorised mechanical strains being placed on the pump!

→ Take the pipe up directly before the pump and connect it free of tension.

3. Connect the pipe free of tension according to the VDMA standard sheet 24277. Use compensators.
4. Ensure that any leaks cannot cause consequential damage. Install a suitable retainer if necessary.

⚠ WARNING

Pumped fluid hazardous to health!

→ Observe legal regulations regarding the disposal of media hazardous to health.

5.4 Electrical connection

⚠ WARNING

Risk of electric shock due to incorrect connections!

→ Electrical connections must always be carried out by authorised specialists.

→ Observe VDE and utility company regulations.

→ Install pumps for swimming pools and their protection according to DIN VDE 0100-702.

→ Install a disconnecting device with at least a 3 mm contact gap per pole to interrupt the power supply.

⚠ WARNING

Risk of electric shock due to voltage on the housing!

→ An overload switch which is set correctly must be installed for pumps with three-phase motors without motor protection. In doing so, observe the values on the motor name plate.

→ Protect power supply with a ground fault circuit interrupter, nominal residual current $I_{FN} \leq 30 \text{ mA}$ (higher current class if necessary when other devices are being run at the same time – always according to the local regulations).

→ Only use suitable pipe types according to regional regulations.

- ➔ Adjust minimum diameter of the electrical pipes to accommodate the motor output and pipe length.
- ➔ If hazardous situations can occur, provide an emergency off switch according to DIN EN 809. The builder/operator must make a decision according to this standard.
- ➔ The use of a frequency converter or a smooth start is recommended in order to rule out pressure surges on the unit side.

5.5 Check the direction of rotation

NOTICE

- ➔ Ensure that the pump/unit is full of water.

NOTICE

The pump/unit is louder and pumps less when the direction of rotation is incorrect.

- ➔ Turn the motor on and immediately off again.
- ➔ Ensure that the motor turns in the direction of the arrow labeled on the fan hood. If the direction of rotation is incorrect, check the electrical connection and correct the direction of rotation.

6 Commissioning/Decommissioning

6.1 Commissioning

NOTICE

The pump/unit can be damaged if it runs dry!

- ➔ Ensure that the pump/unit is always full of water. This also applies to checking the rotation direction.

6.1.1 Pre-requisites for commissioning

- Electrical connection is available.
- Pump/unit is filled with pumped fluid.
- Lockwasher has been removed from the shaft groove. The hexagon screws are tightened.
- Pump/unit is ready for operation.
- Shaft can be turned by hand.

6.1.2 Filling pump/unit with pumped fluid and ventilating

NOTICE

- ➔ Shut-off valves may not be closed during the filling procedure.

1. Ventilate the pump and suction line and fill with the pumping liquid.
 - ➔ The Normblock Multi is self-ventilating. No handles necessary.
 - ➔ BADU Block Multi: a ball valve Rp 3/8 (701) is attached in order to be able to fully ventilate the mechanical seal chamber. The mechanical seal chamber must be ventilated using the ball valve before commissioning and everytime after cleaning the strainer basket.
 - ➔ Please observe the sticker on the vent tap.
2. Completely open the shut-off valves in the suction line.
3. Completely open any additional connections.

NOTICE

After filling the pump, it is possible that small amounts of air may remain in the pump/unit. These will automatically be filled with the pumping liquid after the motor has been turned on.

6.1.3 Checking how easily the pump rotates

After longer idle periods, the pump must be checked for how easily it rotates while it is switched off and free of tension.

- ➔ Turn the pump shaft in the drive lantern by hand.
- or -
- ➔ Remove the fan cover and turn the fan wheel manually in the motor rotation direction.

6.1.4 Switching the pump on

Pre-requisites:

- Pump/unit is filled with pumping liquid and ventilated.
 - ➔ Please observe the sticker on the vent tap.
 - Pipes for filling and ventilating are closed.
 - Pipes are clean.
1. Open the valve on the intake side completely.
 2. Close or slightly open the valve on the discharge side.
 3. Switch the pump/unit on.
 4. As soon as the full speed has been reached, open the valve on the discharge side completely and set the operating point.
 5. Check the mechanical seal for leaking.

NOTICE

The pump/unit may be damaged by deviating temperatures, sounds, leakages or vibrations.

- ➔ Switch the pump/unit off and repair the cause.

NOTICE

Starting the unit with open pressure lines may cause the motor to overload.

- ➔ Make note of the motor's power reserve.
- ➔ Use the soft start (operation with frequency converter).
- ➔ Use speed regulation.

6.1.5 Switching the pump off

1. Close the shut-off valve in the pressure line.
2. Switch the motor off.

For longer idle periods:

1. Close the shut-off valve in the suction line.
2. Close additional connections.

Risk of frost:

1. Drain the pump and pipes.
2. Store the pump and pipes at risk of freezing in a dry place with no risk of frost.

6.2 Decommissioning

- ➔ For pre-requisites for shutting down the pump "Switching the pump off" on page 27

NOTICE

For idle periods exceeding one year, elastomer components must be renewed.

6.2.1 Pump/unit remains assembled

- ➔ Switch the pump/unit on regularly – monthly to quarterly – during long idle periods. Switch the pump back off again after approx. 5 minutes.
This will avoid deposits forming in the pump/unit and piping system.

NOTICE

The pump/unit can be damaged if it runs dry!

- ➔ Ensure that the pump/unit is always full of water.

6.2.2 Pump/unit is disassembled and stored

- ➔ Drain pump/unit. See point 8.3 on page 36
- ➔ Clean and dry pump/unit.
- ➔ Store pump/unit. See point 4.3 on page 19

7 Faults

NOTICE

It is normal for a few drops of water to escape from the mechanical seal from time to time. This is especially true during the break-in period.

Depending on the water quality and number of operating hours, the mechanical seal can begin to leak.

➔ If water leaks constantly, have the mechanical seal replaced by a qualified technician.

7.1 Overview

Fault: Motor overload

Possible cause	Solutions
Dynamic head lower than that indicated in the order.	<ul style="list-style-type: none"> ➔ Set operating point exactly. ➔ For constant overload turn the impeller - (further enquiry required).
Higher density of the pumping liquid than that indicated in the order.	➔ Contact manufacturer.
Too high a speed.	➔ Reduce speed - (further enquiry required).
Running on two phases.	<ul style="list-style-type: none"> ➔ Renew faulty fuse. ➔ Check the electrical connections using the operating manual.
Transport fuse not removed from the shaft groove.	➔ Remove the transport fuse from the shaft groove.

Fault: Too high a pump pressure

Possible cause	Solution
Too high a speed.	➔ Reduce speed - (further enquiry required).

Fault: Too low a flow rate in the pump

Possible cause	Solution
Pump is handling against too high a discharge head.	<ul style="list-style-type: none"> ➔ Set operating point again. ➔ Check unit for impurities.
Pump and pipes not completely ventilated or filled.	<ul style="list-style-type: none"> ➔ Ventilate pump. ➔ Fill pump.
Pump/pump parts blocked due to impurities.	<ul style="list-style-type: none"> ➔ Clean.
Building up of air sacks in the piping.	<ul style="list-style-type: none"> ➔ Modify piping or insert a ventilation valve.
Suction height too large/Unit's NPSH (intake) too low.	<ul style="list-style-type: none"> ➔ Correct the fluid level. ➔ Install pump lower. ➔ Completely open shut-off valve in the intake line. ➔ If the resistance is too large, modify the intake line. ➔ Check suction basket/suction opening. ➔ Observe the permitted pressure reduction speed.
Drawing in air in the mechanical seal.	<ul style="list-style-type: none"> ➔ Replace mechanical seal.
Incorrect direction of rotation (3~).	<ul style="list-style-type: none"> ➔ Check the electrical connection to the motor and switching device.
Too low a speed.	<ul style="list-style-type: none"> ➔ Increase the voltage/frequency on the frequency converter within the permitted range.
Wear of components.	<ul style="list-style-type: none"> ➔ Replace components.
Running on two phases.	<ul style="list-style-type: none"> ➔ Renew faulty fuse. ➔ Check the electrical connections using the operating manual.

Fault: Increased bearing temperature

Possible cause	Solution
Pump strained or vibrations in the pipes.	<ul style="list-style-type: none"> ➔ Check pipe connections and pump fasteners, if necessary reduce the pipe bracket spacing. ➔ Fasten pipes using vibration reducing materials.
Increased axial thrust – (further enquiry required).	➔ Clean relief bore in impeller.
Flow rate too low.	➔ Increase minimum flow rate.

Fault: Unauthorised increase in pump temperature

Possible cause	Solution
Pump and pipes not completely ventilated or filled.	<ul style="list-style-type: none"> ➔ Ventilate pump. ➔ Fill pump.
Suction height too large/Unit's NPSH (intake) too low.	<ul style="list-style-type: none"> ➔ Correct the fluid level. ➔ Install pump lower. ➔ Completely open shut-off valve in the intake. ➔ If the resistance is too large, modify the intake line. ➔ Check suction basket/suction opening. ➔ Observe the permitted pressure reduction speed.
Flow rate too low.	➔ Increase minimum flow rate.

Fault: Pump leaks

Possible cause	Solution
Screw connection or seal faulty.	→ Renew seal between volute casing and housing lid. → Tighten screw connections.

Fault: Shaft seal leaks too much

Possible cause	Solution
Mechanical seal is worn or damaged.	→ Replace mechanical seal.
Damage during disassembly.	→ Replace mechanical seal.
Pump is loud.	→ Improve suction conditions. → Adjust pump unit. → Increase the pressure on the suction discharge.
Pump strained or vibrations in the pipes.	→ Check pipe connections and pump fasteners, if necessary reduce the pipe bracket spacing. → Fasten pipes using vibration reducing materials.
Pump shaft slipped.	→ Fix pump shaft. See point 8.5.5 on page 40

Fault: Pump is loud

Possible cause	Solution
Pump and pipes not completely ventilated or filled.	<ul style="list-style-type: none"> ➔ Ventilate pump. ➔ Fill pump.
Suction height too large/Unit's NPSH (intake) too low.	<ul style="list-style-type: none"> ➔ Correct the fluid level. ➔ Install pump lower. ➔ Completely open shut-off valve in the intake. ➔ If the resistance is too large, modify the intake line. ➔ Check suction basket/suction opening. ➔ Observe the permitted pressure reduction speed.
Wear of components.	<ul style="list-style-type: none"> ➔ Replace components.
Dynamic head lower than that indicated in the order.	<ul style="list-style-type: none"> ➔ Set operating point exactly. ➔ For constant overload turn the impeller (further enquiry required).
Pump strained or vibrations in the pipes.	<ul style="list-style-type: none"> ➔ Check pipe connections and pump fasteners, if necessary reduce the pipe bracket spacing. ➔ Fasten pipes using vibration reducing materials.
Imbalanced rotor.	<ul style="list-style-type: none"> ➔ Clean pump and pump parts.
Pump and/or motor bearings are damaged.	<ul style="list-style-type: none"> ➔ Replace bearing.
Flow rate too low.	<ul style="list-style-type: none"> ➔ Increase minimum flow rate.

8 Maintenance

8.1 Maintenance during operation

- ➔ Pay attention to calm and vibration-free operation.
- ➔ Check the mechanical seal for possible leaks.
- ➔ Check the static seals for possible leaks.
- ➔ Check running noises in the bearing. Risk of wear.
- ➔ Check the function of additional connections.
- ➔ Guarantee operational readiness of reserve pumps. Operate them once a week.

8.2 Maintenance work

NOTICE

- ➔ Before maintenance work, close all shut-off valves and drain all pipes.

When?	What?
Regularly	<ul style="list-style-type: none">➔ Clean strainer basket.➔ Check screw connections.➔ Check components for deformations.
If there is a chance of frost	<ul style="list-style-type: none">➔ Drain pump and pipes sensitive to frost in good time.

- ➔ After completing all maintenance work, perform all necessary measures for start-up. See point 6.1 on page 26

8.2.1 Cleaning the BADU Block Multi strainer basket

1. Switch pump off.
2. Close shut-off valves.
3. Drain the pre-filter housing (124) using the drain screw (903.3).
4. Unscrew star handle (925).
5. Remove lid (160).
6. Remove strainer basket (143).
7. Hose strainer basket (143) down with water.
8. Return strainer basket (143).

NOTICE

High concentration water treatment products can damage the pump!

- Do not place water treatment products, particularly in tablet form, into the strainer basket.

NOTICE

Tightening the lid too tight will make it difficult to re-open the lid.

- Only apply normal manual force.

9. Replace and tighten the lid (160).
10. Open the shut-off valves.
11. Fill and ventilate the pump/unit. See point 6.1.2 on page 26

8.2.2 Cleaning the BADU Block Multi acrylic lid

NOTICE

Damage to the acrylic glass surface may cause stress cracks in the lid.

- Do not use aggressive or corrosive cleaning agents or solvents.
- Do not use sharp tools e.g. knives scrapers, steel wool or sponges with a rough side.
- Clean the acrylic glass lid with lukewarm water, household washing up liquid and a soft cloth.

8.3 Draining/Cleaning

- **Normblock Multi:** Loosen the drain plug (903) on the pump housing and drain and dispose of the pumped liquid properly.
- **BADU Block Multi:** Loosen the drain plug (903.3) on the pre-filter housing and drain and dispose of the pumped liquid properly.

Clean or rinse the pump/unit with clear water.

8.4 Disassembling of the pump/unit

DANGER

Danger of injury due to insufficient safeguarding.

- ➔ Turn the pump/unit off correctly.
- ➔ Close shut-off valves and additional connections.
- ➔ Drain the pump.

NOTICE

Disassembling various components from the shaft can be difficult following longer operation times.

- ➔ Either use suitable extractor devices or commercial rust disolvers.

8.4.1 Preparation

1. Switch the pump off and secure it from being switched on again.
2. Reduce the pressure in the pipe system by opening a consumer.
3. Dismantle additional connections.

8.4.2 Dismantling pump/unit

NOTICE

Depending on the installation conditions, the pump and motor size are the deciding factors as to whether the pump unit should be completely dismantled or just the motor unit.

1. Loosen the piping from the suction and pressure lines.
2. Loosen the motor feet (Normblock Multi) or pre-filter housing (BADU Block Multi) screws from the foundation.
3. Remove the complete pump/unit from the piping.

8.4.3 Dismantling the motor

WARNING

Risk of crushing due to the motor tilting.

→ Hang the motor on the lifting hooks or secure it from lifting.

1. Loosen the fastening from the motor feet to the foundation if necessary.
2. Loosen the screws (914) on the coupling protection (681).
3. Remove the coupling protection (681) from the drive lantern (341).
4. Loosen the hexagon screws (901.3).
5. Push the lock washer (931) into the grooves on the motor shaft.
6. Tighten the hexagon screws (901.3).
7. Loosen the hexagon socket screws (914.1).
8. Loosen the nuts (920.5) on the motor flange.
9. Lift off the motor (800).

8.4.4 Dismantling motor unit

1. Hang or support the motor unit to protect it from tipping over.
2. Loosen the hexagon screws (901) and nuts (920) between the pump housing (101) and gland housing (106).
3. Disconnect the hose from the vent line (701) (BADU Block Multi).
4. Remove the complete motor unit from the pump housing (101).
5. Place the motor unit on a clean and level surface.

8.4.5 Dismantling pump housing

1. Loosen the hexagon screws (901) and nuts (920) between the pump housing (101) and gland housing (161).
2. Lift off the pump housing (101).

8.4.6 Dismantling the impeller and mechanical seal

NOTICE

Normblock Multi: When dismantling the impeller and the mechanical seal we recommend taking the whole pump out of the piping system and dismantling the pump housing.

BADU Block Multi: When dismantling the impeller and the mechanical seal we recommend taking the whole pump out of the pre-filter housing or taking the whole motor unit out of the pump housing.

1. Loosen the coupling protection (681) from the drive lantern (341).
2. Hold the pump shaft (210) at the opening. See "Fig. 8" on page 40
3. Loosen the impeller nut (922) with the inserted o-ring (412.4).
4. Remove the impeller (230). Place the impeller on a clean and level surface.
5. Remove the shaft key (940) from the shaft key nut.
6. Remove the rotating insert in the mechanical seal (433) from the impeller hub.
7. Loosen hexagon screws (901).
8. Loosen the gland housing (161) from the lantern (341).
9. Remove the counter ring in the mechanical seal (433) from the gland housing (161).

8.5 Assembling pump/unit

8.5.1 Pre-requisites

- ➔ Assemble using the exploded drawing attached.
- ➔ Check O-rings, renew if necessary.
- ➔ Tighten screws according to the torque indicated. See point 8.6 on page 41
- ➔ Clean dismantled components and check them for wear. Replace with original spare parts if necessary.
- ➔ Sealing surfaces are clean and free of grease.

8.5.2 Assembling meachanical seal

NOTICE

Observe the following points:

- Clean and careful working methods.
- Only remove protection against contact on sliding surfaces directly before assembly.
- Use water as an assembly agent.
- Never use oil or grease as an assembly agent.

1. Clean the counter ring in the gland housing (161).
2. Insert the counter ring carefully. Beware of applying pressure evenly.
3. Assemble the gland housing (161) on the drive lantern (341).
4. Assemble the rotating insert in the mechanical seal (433) on the impeller hub.

8.5.3 Assembling impeller

1. Insert shaft key (940) into shaft key nut.
2. Push the impeller (230) onto the shaft (210).
3. Hold the pump shaft at the opening. See "Fig. 8" on page 40
4. Fasten the impeller nut (922), with the inserted O-ring (412.4). Observe the torque! See point 8.6 on page 41

8.5.4 Assembling motor unit

1. If necessary hang or support the motor unit to protect it from tipping over.
2. Attach a new O-ring (412) to the gland housing (161) if necessary.
3. Push the motor unit into the volute casing (101).
4. Tighten the hexagon nut (920) on the volute casing.
5. Connect the hose to the vent line (701) (BADU Block Multi).

8.5.5 Assembling motor

➔ The motor and pump shafts must not be greasy!

1. Plug the motor shaft end into the shaft (210). The motor shaft key nut and the slit in the shaft (210) have to be congruent and lay opposite the slit in the supporter ring (515). See "Fig. 7" on page 40
2. Tighten the hexagon socket screw (914.1).
3. Loosen the hexagon screw (901.3).
4. Pull both lockwashers (931) completely out of the shaft nut. See "Fig. 8" on page 40
5. Tighten the hexagon screw (901.3).
6. Attach and tighten the nuts (920.5).

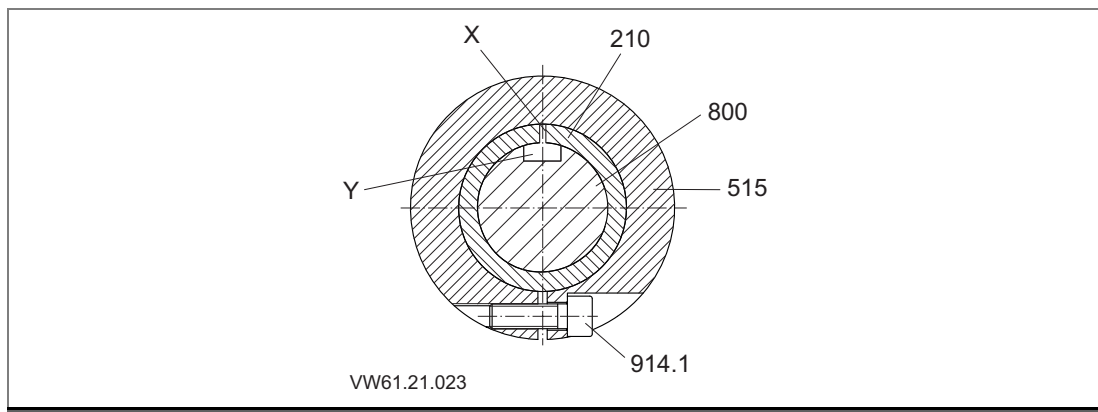


Fig. 7

X	Slit in the shaft	515	Support ring
Y	Motor shaft key nut	800	Motor
210	Pump shaft	914.1	Hexagon socket screw

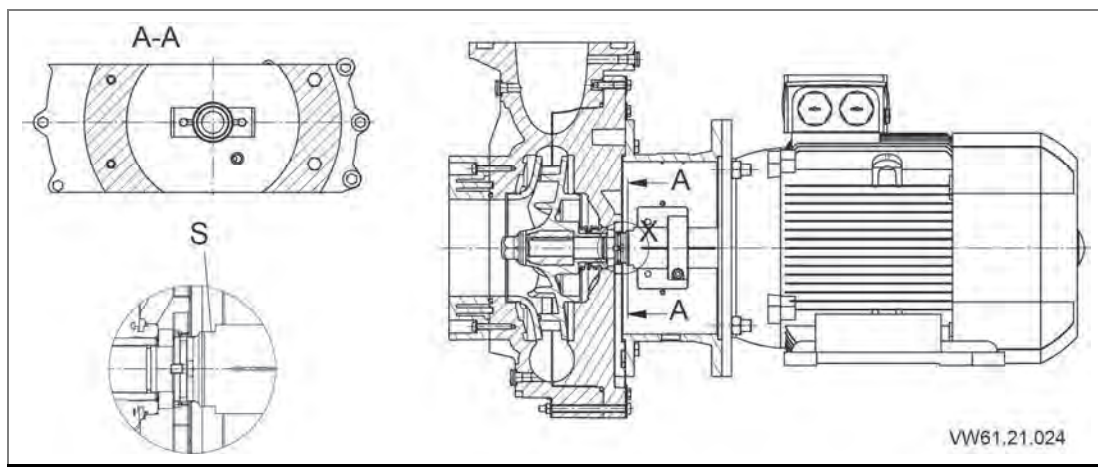


Fig. 8

S	Opening SW 34 (BG 100, BG 112) Opening SW 46 (BG 132, BG 160, BG 180)
---	--

8.6 Screw torque

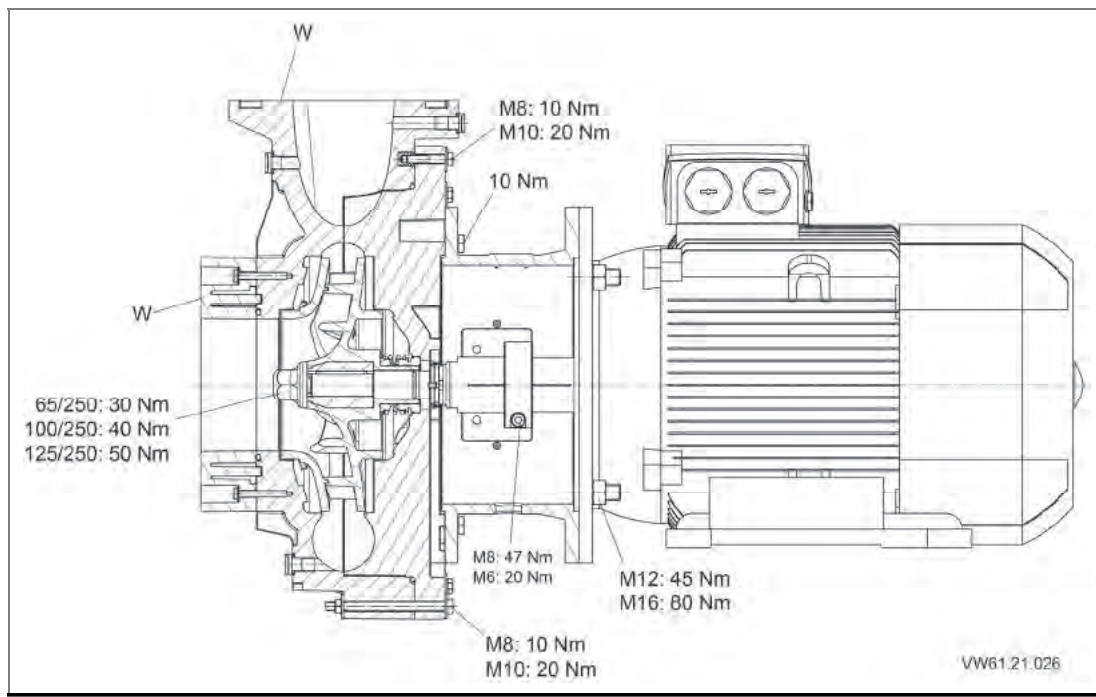


Fig. 9

W	Torque at the flange connection: 15 Nm
---	--

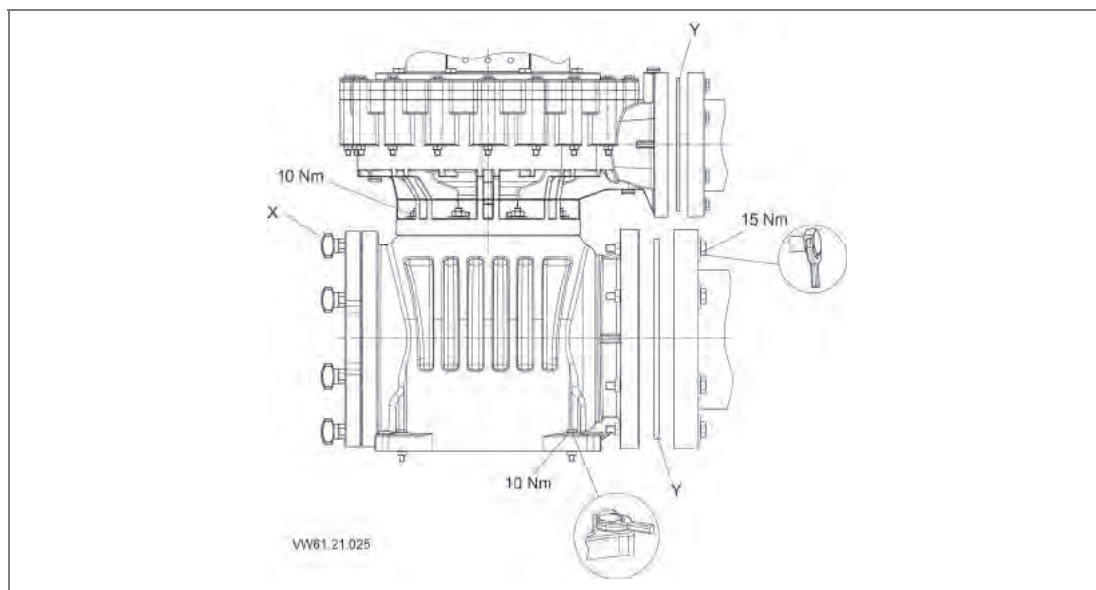


Fig. 10

X	Only fasten handtight
Y	Rubber seal 60° Shore A

8.7 Spare parts

The following specifications are required for spare part orders:

- Serial number
- Range
- Construction size
- Construction year

The specifications can be found on the pump name plate.

Further data:

- Parts-description
- Position number
- Quantity
- Delivery address
- Shipping method

The description and position number can be found on the exploded drawing or spare parts list. See point 10.3 on page 54

8.8 Warranty

The warranty includes the devices delivered and all components. However natural wear and tear (DIN 3151/DIN-EN 13306) on all turning and dynamically loaded components, including electronic components under tension, is not covered under the warranty.

Failure to comply with the safety instructions may void the warranty.

9 Disposal

- ➔ Collect harmful media and dispose of it according to the regulations.
- ➔ At the end of its service life, the pump/unit or individual components must be disposed of correctly. Disposal in the household waste is not permitted!
- ➔ Dispose of the packaging materials in the household waste in accordance with the local regulations.

10 Technical data

10.1 Dimensional drawing

Normblock Multi

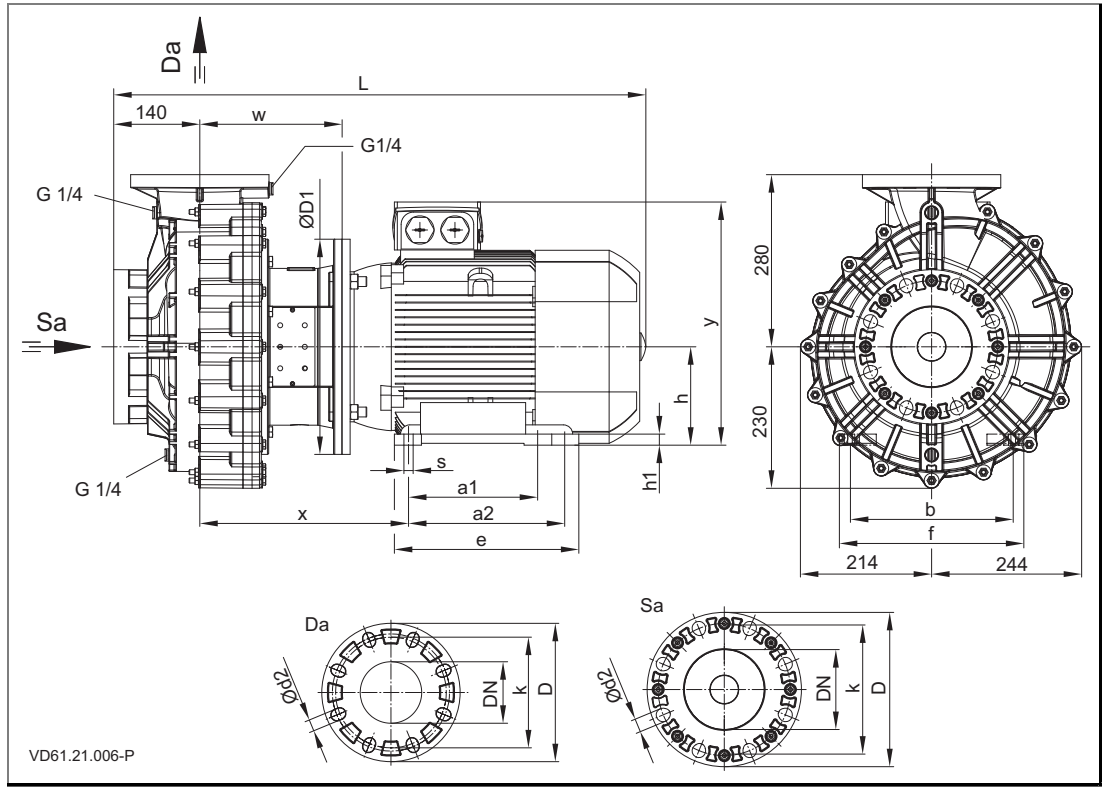


Fig. 11

Normblock Multi 65/250

	BG 100 L 3,0 kW	BG 112 M 4,0 kW	BG 132 S 5,5 kW	BG 132 M 7,5 kW
a1	140	140	140	178
b	160	190	216	216
e	176	176	180	218
f	196	226	256	256
h	100	112	132	132
h1	12	12	15	15
r	208	208	208	208
s	12	12	12	12
t	250	250	250	250
u	209	209	209	209
v	100	100	100	100
w	183.5	183.5	203.5	203.5
x	246.5	253.5	292.5	292.5
y	265	288	334	334
z	208	208	208	208
D1	Ø 250	Ø 250	Ø 300	Ø 300
L	654	637,5	738,5	738,5
Weight [kg]	51	55	72	94

Flanges compatible with

Sa	EN 1092-2 (PN16)		ASME
	DN	Ø 80	Ø 80 (3")
	D	Ø 200	Ø 200
	k	Ø 160	Ø 152.4
	d2	Ø 19	Ø 19

Da	EN 1092-2 (PN16)		ASME
	DN	Ø 65	Ø 65 (2 ½")
	D	Ø 185	Ø 185
	k	Ø 145	Ø 139.7
	d2	Ø 19	Ø 19

Normblock Multi 100/250

	BG 132 S 5,5 kW	BG 132 M 7,5 kW	BG 160 M 11,0 kW
a1	140	178	210
b	216	216	254
e	180	218	256
f	256	256	300
h	132	132	160
h1	15	15	18
r	244	244	244
s	12	12	15
t	280	280	280
u	230	230	230
v	140	140	140
w	201.5	201.5	231.5
x	290.5	290.5	339.5
y	334	334	396.5
z	214	214	214
D1	Ø 300	Ø 300	Ø 350
L	777	777	866
Weight [kg]	102	102	129

Flanges compatible with

Sa	EN 1092-2 (PN16)		ASME
	DN	Ø 125	Ø 125 (5")
	D	Ø 250	Ø 250
	k	Ø 210	Ø 215.9
	d2	Ø 19	Ø 22

Da	EN 1092-2 (PN16)		ASME
	DN	Ø 100	Ø 100 (4")
	D	Ø 225	Ø 225
	k	Ø 180	Ø 190.5
	d2	Ø 19	Ø 19

Normblock Multi 125/250

	BG 160 M 11,0 kW	BG 160 L 15,0 kW	BG 180 M 18,5 kW	BG 180 L 22,0 kW
a1	210	254	241/279	241/279
b	254	254	279	279
e	256	300	328	328
f	300	300	339	339
h	160	160	180	180
h1	18	18	20	20
r	308.4	308.4	308.4	308.4
s	15	15	15	15
t	355	355	355	355
u	286.1	286.1	286.1	286.1
v	140	140	140	140
w	259.5	259.5	259.5	259.5
x	367.5	367.5	380.5	380.5
y	396.5	396.5	466	466
z	262.5	262.5	262.5	262.5
D1	Ø 350	Ø 350	Ø 350	Ø 350
L	893.5	953.5	957.5	987.5
Weight [kg]	148	165	230	235

Flanges compatible with

Sa	EN 1092-2 (PN16)		ASME
	DN	Ø 150	Ø 150 (6")
	D	Ø 285	Ø 285
	k	Ø 240	Ø 241.3
	d2	Ø 22.4	Ø 22.4

Da	EN 1092-2 (PN16)		ASME
	DN	Ø 125	Ø 125 (5")
	D	Ø 254	Ø 250
	k	Ø 210	Ø 215.9
	d2	Ø 19	Ø 22.4

BADU Block Multi

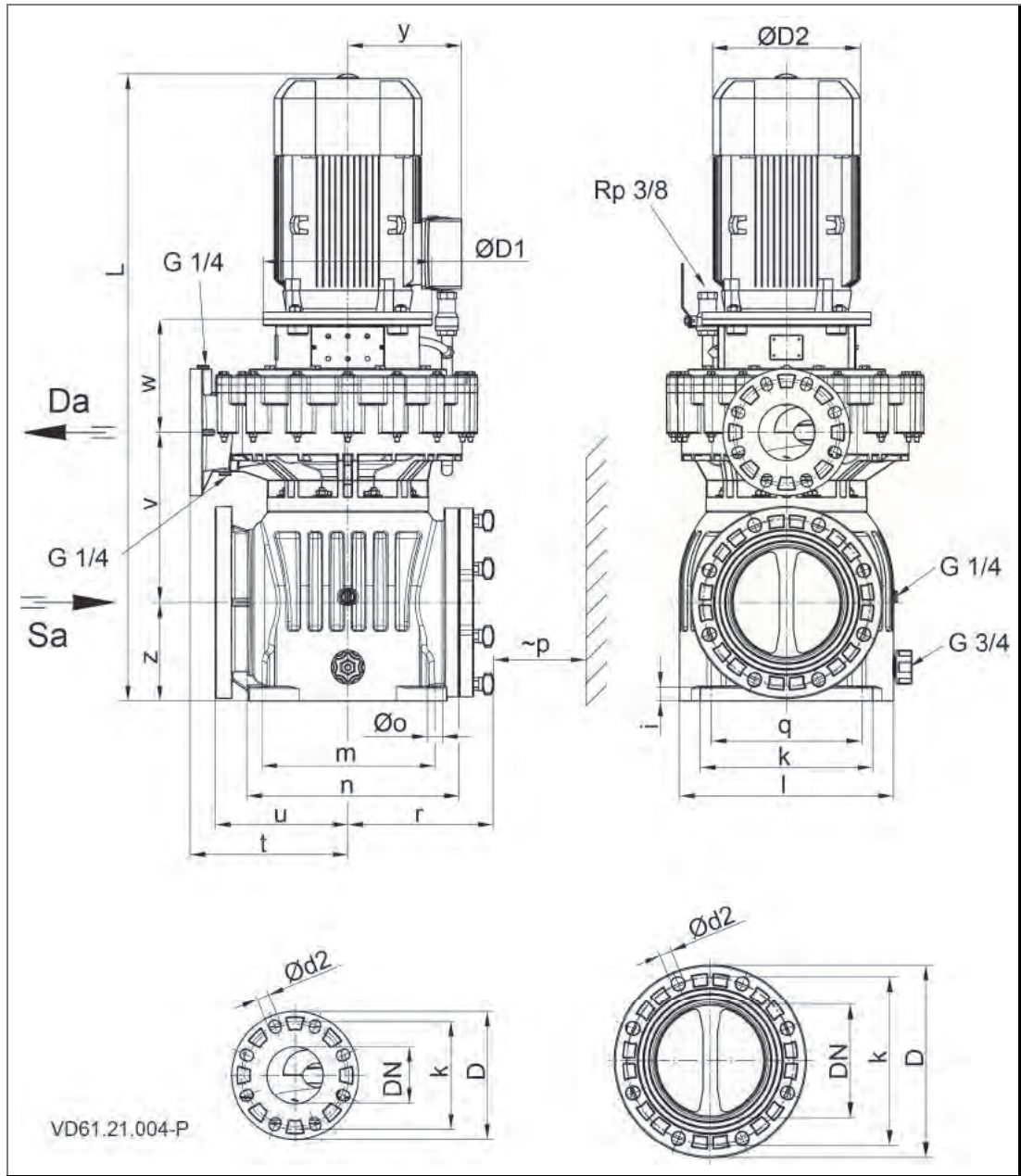


Fig. 12

BADU Block Multi 65/250

	BG 100 L 3,0 kW	BG 112 M 4,0 kW	BG 132 S 5,5 kW	BG 132 M 7,5 kW
i	18	18	18	18
k	240	240	240	240
l	304	304	304	304
m	240	240	240	240
n	278	278	278	278
o	Ø 14	Ø 14	Ø 14	Ø 14
p	400	400	400	400
q	214	214	214	214
r	223	223	223	223
t	250	250	250	250
u	203	203	203	203
v	227	227	227	227
w	183,5	183,5	203,5	203,5
y	165	176	202	202
z	128	128	128	128
L	909	892,5	993,5	993,5
D1	Ø 250	Ø 250	Ø 300	Ø 300
D2	Ø 198	Ø 222	Ø 262	Ø 262
Weight [kg]	65	69	87	109

Flanges compatible with

Sa	EN 1092-2 (PN16)		ASME
	DN	Ø 125	Ø 125 (5")
	D	Ø 250	Ø 250
	k	Ø 210	Ø 215.9
	d2	Ø 19	Ø 19

Da	EN 1092-2 (PN16)		ASME
	DN	Ø 65	Ø 65 (2 ½")
	D	Ø 185	Ø 185
	k	Ø 145	Ø 139.7
	d2	Ø 19	Ø 19

BADU Block Multi 100/250

	BG 132 S 5,5 kW	BG 132 M 7,5 kW	BG 160 M 11,0 kW
i	25	25	25
k	306	306	306
l	380	380	380
m	300	300	300
n	352	352	352
o	Ø 19	Ø 19	Ø 19
p	400	400	400
q	265	265	265
r	259	259	259
t	280	280	280
u	235	235	235
v	3012	302	302
w	201.5	201.5	231.5
y	202	202	235.5
z	175	175	175
L	1114	1114	1203
D1	Ø 300	Ø 300	Ø 350
D2	Ø 262	Ø 262	Ø 314
Weight [kg]	105	127	154

Flanges compatible with

Sa	EN 1092-2 (PN10)		ASME
	DN	Ø 200	Ø 200 (8")
	D	Ø 340	Ø 340
	k	Ø 295	Ø 298.5
	d2	Ø 23	Ø 22.5

Da	EN 1092-2 (PN16)		ASME
	DN	Ø 100	Ø 100 (4")
	D	Ø 225	Ø 225
	k	Ø 180	Ø 190.5
	d2	Ø 19	Ø 19

BADU Block Multi 125/250

	BG 160 M 11,0 kW	BG 160 L 15,0 kW	BG 180 M 18,5 kW	BG 180 L 22,0 kW
i	25	25	25	25
k	306	306	306	306
l	380	380	380	380
m	300	300	300	300
n	352	352	352	352
o	Ø 18.5	Ø 18.5	Ø 18.5	Ø 18.5
p	400	400	400	400
q	265	265	265	265
r	259	259	259	259
t	355	355	355	355
u	235	235	235	235
v	302	302	302	302
w	259.5	259.5	259.5	259.5
y	236.5	236.5	286	286
z	175	175	175	175
L	1230.5	1290.5	1294.5	1324.5
D1	Ø 350	Ø 350	Ø 350	Ø 350
D2	Ø 314	Ø 314	Ø 356	Ø 356
Weight [kg]	173	190	255	260

Flanges compatible with

Sa	EN 1092-2 (PN16)		ASME
	DN	Ø 200	Ø 200 (8")
	D	Ø 340	Ø 340
	k	Ø 295	Ø 298.5
	d2	Ø 22.5	Ø 22.5

Da	EN 1092-2 (PN16)		ASME
	DN	Ø 125	Ø 125 (5")
	D	Ø 254	Ø 254
	k	Ø 210	Ø 215.9
	d2	Ø 19	Ø 22.4

10.2 Performance Curves

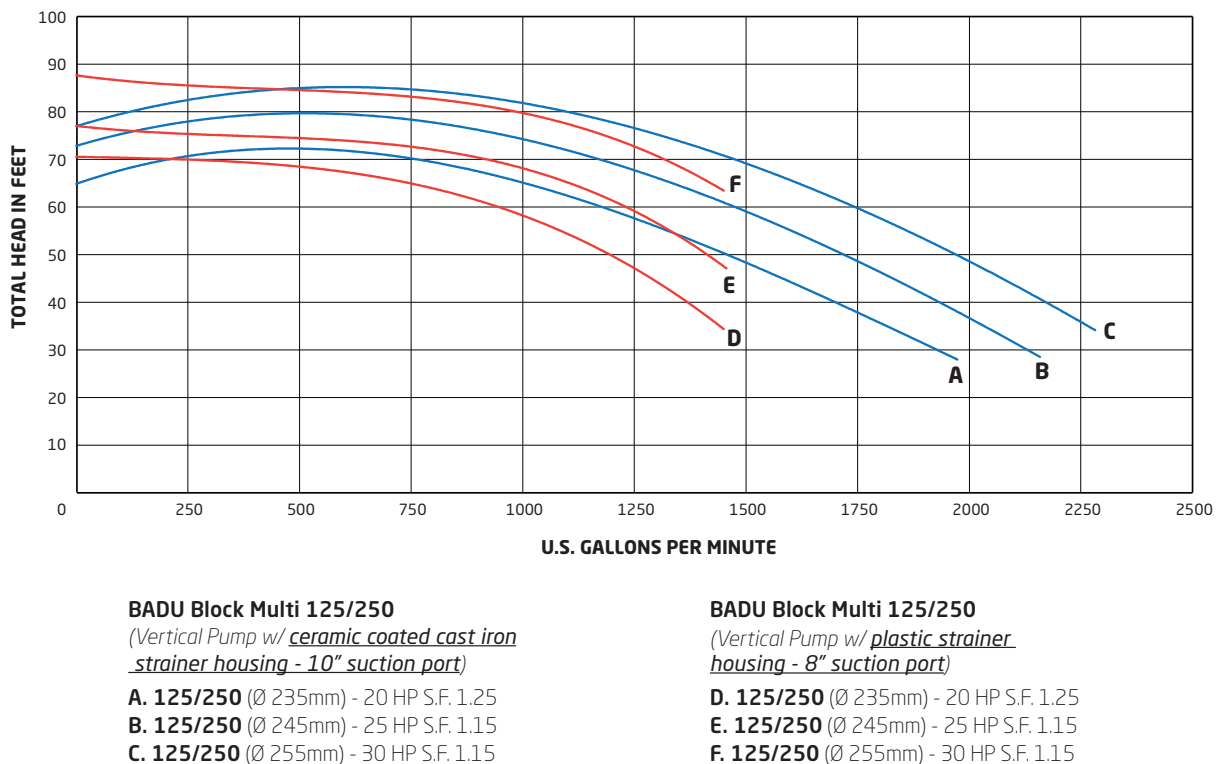
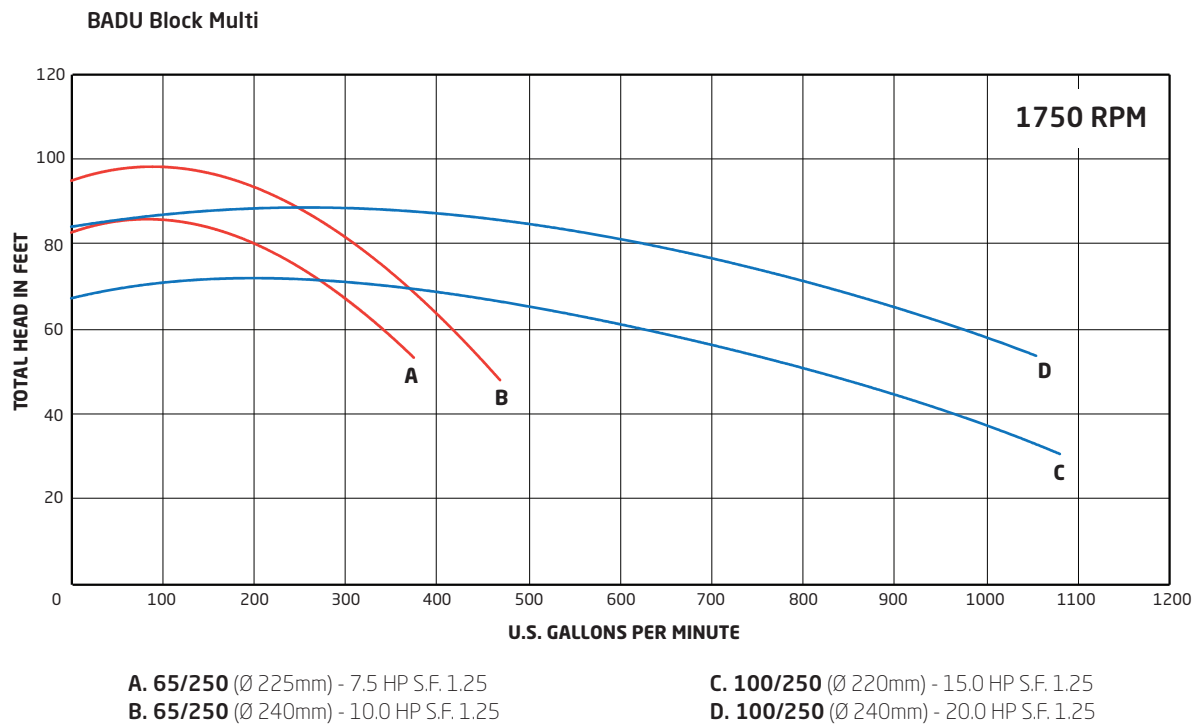
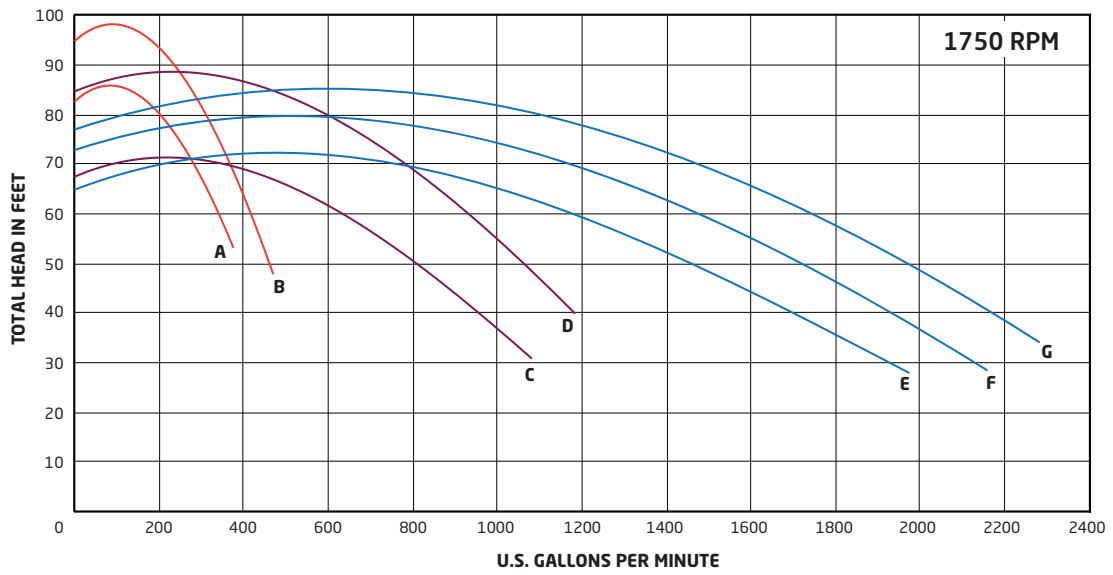


Fig. 13

Normblock Multi Series

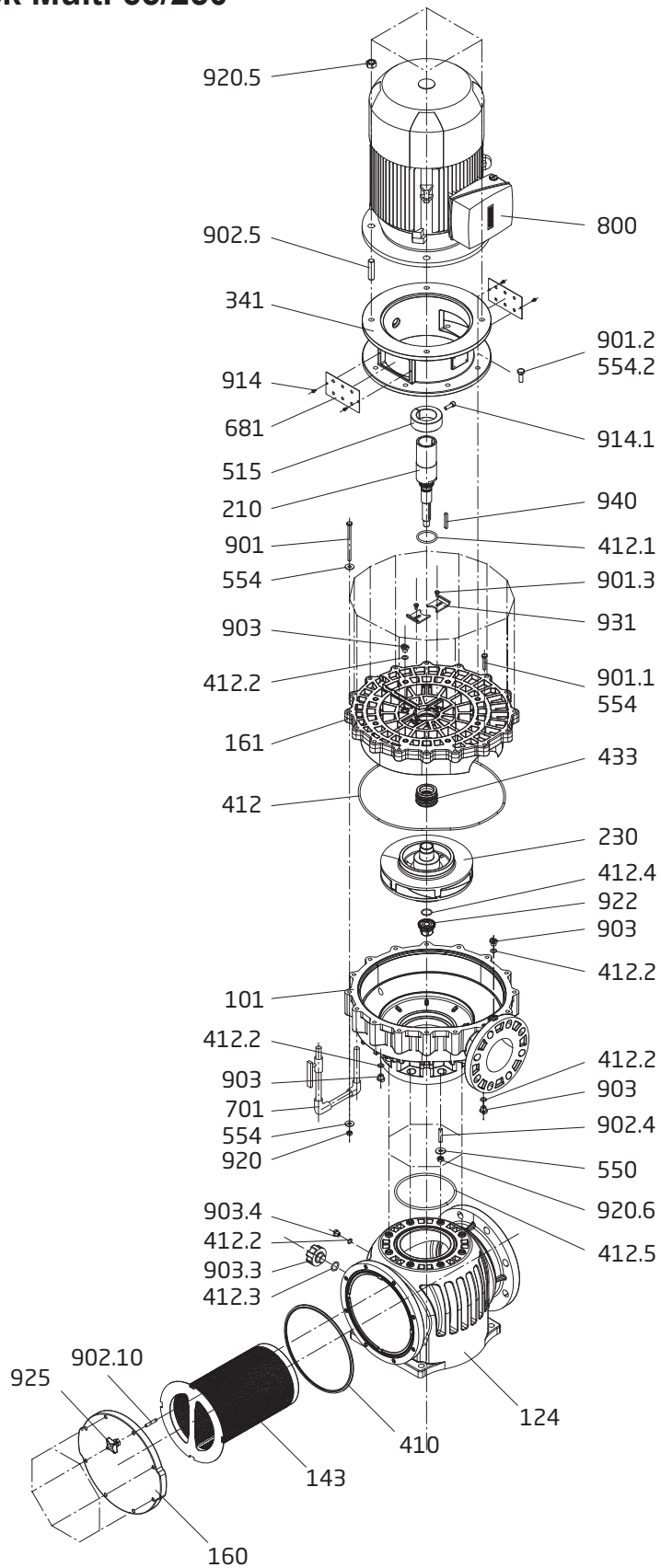


- A. Normblock Multi 65/250** (Ø 225mm) - 7.5 HP S.F. 1.25
- B. Normblock Multi 65/250** (Ø 240mm) - 10.0 HP S.F. 1.25
- C. Normblock Multi 100/250** (Ø 220mm) - 15.0 HP S.F. 1.25
- D. Normblock Multi 100/250** (Ø 240mm) - 20.0 HP S.F. 1.25
- E. Normblock Multi 125/250** (Ø 235mm) - 20.0 HP S.F. 1.25
- F. Normblock Multi 125/250** (Ø 245mm) - 25.0 HP S.F. 1.15
- G. Normblock Multi 125/250** (Ø 255mm) - 30.0 HP S.F. 1.15

Fig. 14

10.3 Exploded View

BADU Block Multi 65/250



BADU Block Multi 65/250

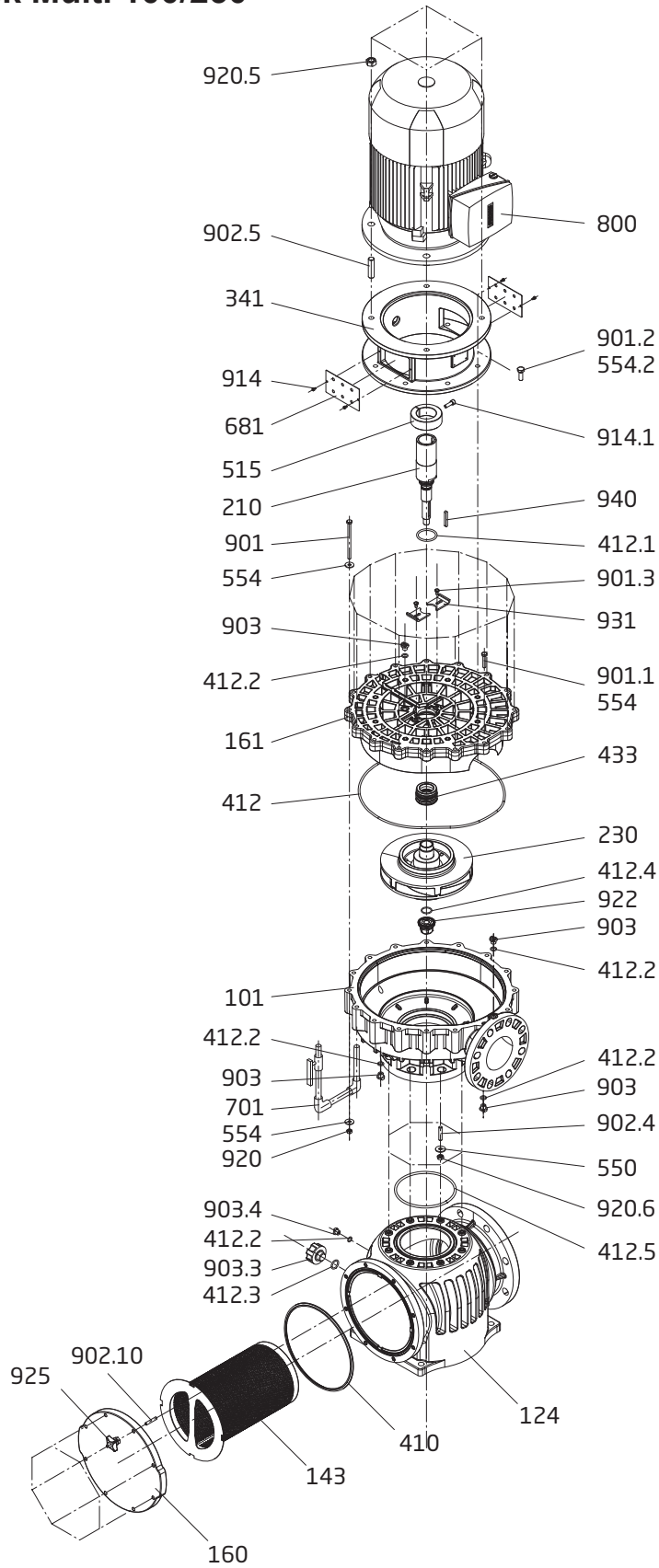
Order #	Drawing Number	Qty Required	Description
7201110111	101	1	CASING CPL
1913291269	124	1	PLASTIC STRAINER TANK CPL
1900214301	143	1	STRAINER BASKET - STAINLESS STEEL
7201214300	143	1	STRAINER BASKET - PLASTIC
1900216602	160	1	LID
7201116100	161	1	SEAL HOUSING
7201421042	210	1	PUMP SHAFT CPL
7201123000	230	1	IMPELLER (65/250 - 7.5 HP) 225mm
7201123000A	230	1	IMPELLER (65/250 - 10.0 HP) 240mm
7201434140	341	1	MOTOR LANTERN CPL BG 132
1913214109	410	1	GASKET NBR
7201141201	412	1	O-RING - 355 x 5mm NBR
2923541220	412.2	4	O-RING - 12 x 2.5mm NBR
2923241231	412.3	1	O-RING - 24 x 3.5mm NBR
2711040109	412.4	1	O-RING - 31.5 X 2.5mm
2920341210	412.5	1	O-RING - 123.19 x 5.33mm NBR
7201143300	433	1	MECHANICAL SEAL (32mm) CPL - CARBON/SiC+EPDM
7201143302	433	1	MECHANICAL SEAL (32mm) CPL - SiC/SiC+EPDM
7201451500	515	1	SUPPORT RING BG 132
5879021100	507	8	WASHER - 10.5 x 30mm SS
5871250800	554	27	WASHER - 8.4mm SS
5871251000	554.2	8	WASHER - 10.5mm SS
7201268103	681	2	PLATE WITH SPECK LOGO BG 132
7201270001	701	1	AIR BLEED/CIRCULATION LINE - STAINLESS STEEL
7201270003	701	1	AIR BLEED/CIRCULATION LINE - PLASTIC
5879310920	901	13-15	SCREW - M8 x 120mm HEX HEAD SS
5879310865	901.1	1	SCREW - M8 x 65mm HEX HEAD SS
5879331030	901.2	8	SCREW - M10 x 30mm HEX HEAD SS
5879330610	901.3	2	SCREW - M6 x 10mm HEX HEAD SS
5879390835	902.1	8	STUD BOLT - M8 x 35 SS
5879391225	902.5	4	STUD BOLT - M12 x 25 SS
2922091600	903.3	4	DRAIN PLUG (3/4") - RED
2923591201	903.4	1	DRAIN PLUG (1/4") - BLACK
7201141240	NOT SHOWN	1	O-RING - 22 x 2mm, NBR
5879120406	914	4	BOLT - HEX M4 x 6 SS
5819120826	914.1	1	SCREW - M8x 25mm
5879340800	920	13-15	NUT M8 SS
5879341200	920.5	4	NUT M12 SS
5879341000	920.6	8	NUT - M10 SS
7201192200	922	1	IMPELLER NUT WITH INSERT
2921891500	925	8	HANDLE M8 - BLACK
7201293100	931	2	LOCKWASHER
5878850664	940	1	KEY 6 x 6 x 40

REPLACEMENT MOTORS

Order #	MFR #	Model	HP	S.F.	Volts	Frame
THREE SPEED						
518ET3EAL072017	518ET3EAL072017	65/250	7.5	1.25	208-230/460	AL132S
718ET3EAL072017	718ET3EAL072017	65/250	10.0	1.25	208-230/460	AL132M

10.3 Exploded View

BADU Block Multi 100/250



BADU Block Multi 100/250

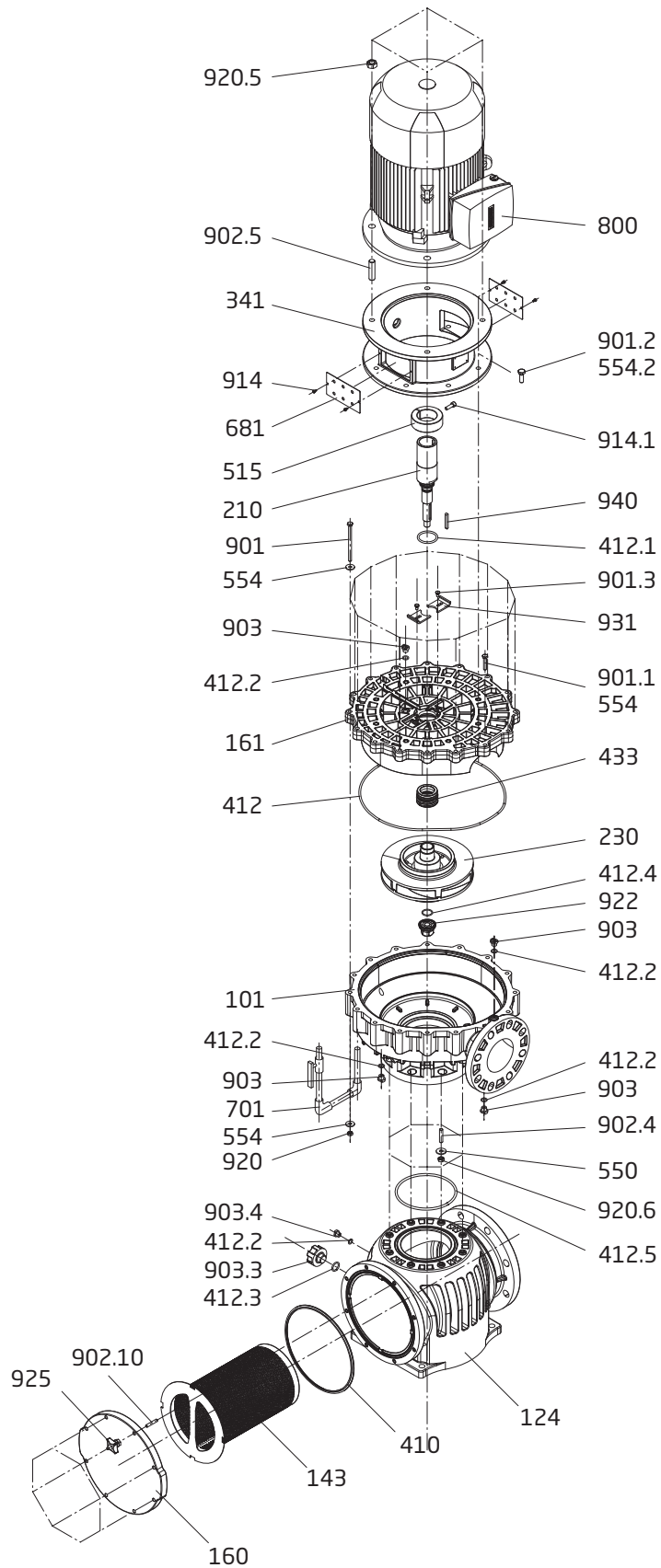
Order #	Drawing Number	Qty Required	Description
7201210106	101	1	CASING CPL
1913391269	124	1	PLASTIC STRAINER TANK CPL
1900214301	143	1	STRAINER BASKET - STAINLESS STEEL
7201214300	143	1	STRAINER BASKET - PLASTIC
1900216602	160	1	LID
7201216101	161	1	SEAL HOUSING
7201421041	210	1	PUMP SHAFT CPL
7201223000	230	1	IMPELLER (15.0 HP) 220mm
7201223000A	230	1	IMPELLER (20.0 HP) 240mm
7201434141	341	1	MOTOR LANTERN CPL BG 132
1913214109	410	1	GASKET NBR
7201241201	412	1	O-RING - 375 x 5mm NBR
2923541220	412.2	4	O-RING - 12 x 2.5mm NBR
7201241200	412.4	1	O-RING - 37.5 x 2.65mm NBR
1913314342	433	1	MECHANICAL SEAL (38mm) CPL - CARBON/SiC+EPDM
1913314339	433	1	MECHANICAL SEAL (38mm) CPL - SiC/SiC+EPDM
7201451500	515	1	SUPPORT RING BG 132
5879021080	554	31	WASHER - 8.4mm SS
5871251000	554.2	8	WASHER - 10.5mm SS
7201268103	681	2	PLATE WITH SPECK LOGO BG 132
7201270001	701	1	AIR BLEED/CIRCULATION LINE - STAINLESS STEEL
7201270003	701	1	AIR BLEED/CIRCULATION LINE - PLASTIC
5879310920	901	13-15	SCREW - M8 x 120mm HEX HEAD SS
5879310840	901.1	1	SCREW - M8 x 40mm HEX HEAD SS
5879331030	901.2	8	SCREW - M10 x 30mm HEX HEAD SS
5879330610	901.3	2	SCREW - M6 x 10mm HEX HEAD SS
5879391035	902.4	8	STUD BOLT - M10 x 35 SS
5879391640	902.5	4	STUD BOLT - M16 x 40 SS
2923591201	903.4	1	DRAIN PLUG (1/4") - BLACK
5879120406	914	4	BOLT - HEX M4 x 6 SS
5879340800	920	13-15	NUT M8 SS
5879341600	920.5	4	NUT M16 SS
7201292200	922	1	IMPELLER NUT WITH INSERT
7201293100	931	2	LOCKWASHER
5878850671	940	1	KEY 6 x 6 x 50
5878850879	940	1	KEY 8 x 7 x 63

REPLACEMENT MOTORS

Order #	MFR #	Model	HP	S.F.	Volts	Frame
THREE SPEED						
1118ET3E072017	1118ET3E072017	100/250	15.0	1.25	208-230/460	160M
1518ET3X110317	1518ET3X110317	100/250 & 125/250	20.0	1.25	208-230/460	160L

10.3 Exploded View

BADU Block Multi 125/250



BADU Block Multi 125/250

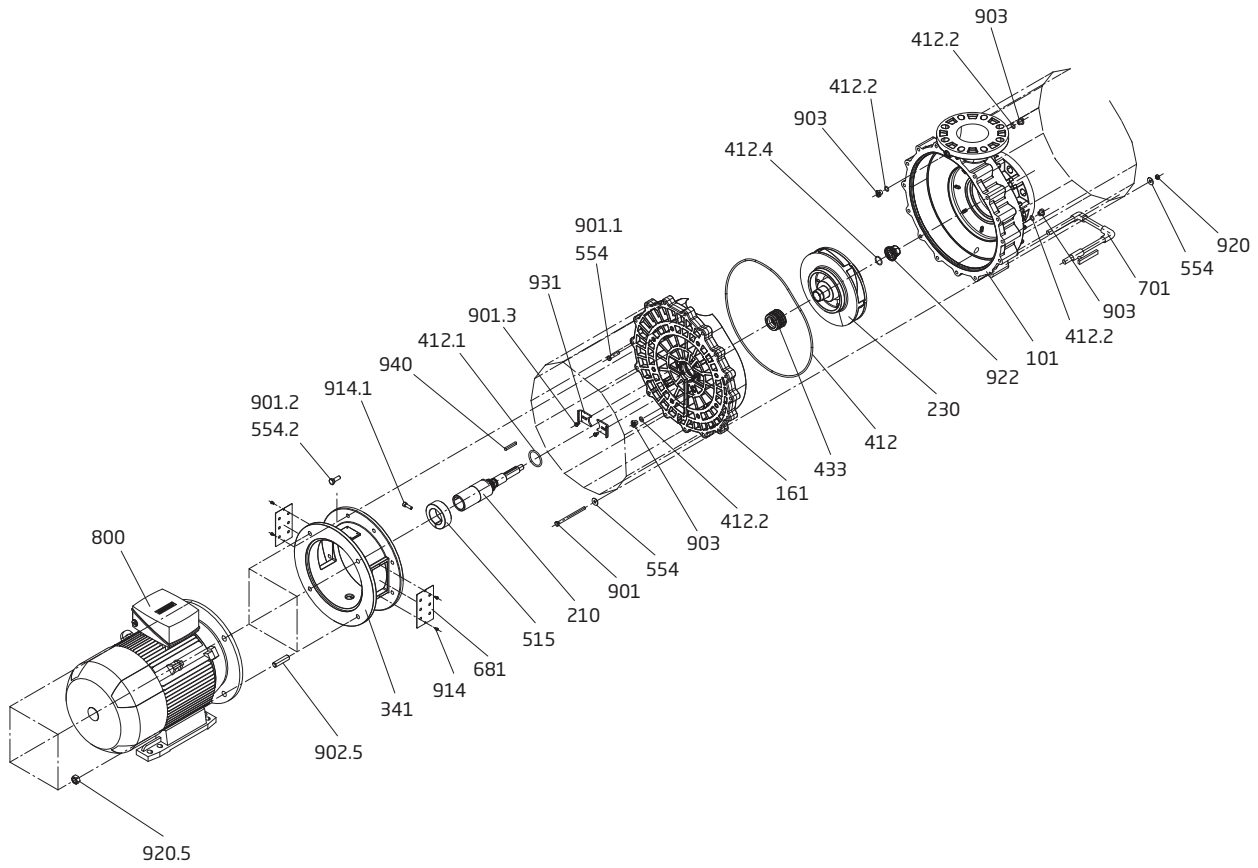
Order #	Drawing Number	Qty Required	Description
7201310106	101	1	CASING CPL
1913391269	124	1	PLASTIC STRAINER TANK CPL
1913421259	NOT SHOWN	1	CAST IRON STRAINER TANK CPL w/ CERAMIC COATING
1900214301	143	1	STRAINER BASKET - STAINLESS STEEL
7201214300	143	1	STRAINER BASKET - PLASTIC
1900216602	160	1	LID
7201347102	161	1	SEAL HOUSING
7201321040	210	1	PUMP SHAFT CPL
7201321041	210	1	PUMP SHAFT CPL
7201323000/235	230	1	IMPELLER (20.0 HP) 235mm
7201323000/245	230	1	IMPELLER (25.0 HP) 245mm
7201323000/255	230	1	IMPELLER (30.0 HP) 255mm
7201434141	341	1	MOTOR LANTERN CPL BG 132
1913214109	410	1	GASKET NBR
7201341000	412	1	GASKET - SEAL HOUSING 440 x 6mm NBR
7201341240	412.1	1	O-RING - 30 x 2mm NBR
2923541220	412.2	4	O-RING - 12 x 2.5mm NBR
2620001015	NOT SHOWN	1	O-RING - 117 x 4mm NBR
7201343300	433	1	MECHANICAL SEAL (45mm) CPL - CARBON/SiC+EPDM
7201343302	433	1	MECHANICAL SEAL (45mm) CPL - SiC/SiC+EPDM
7201451500	515	1	SUPPORT RING BG 132
5879021100	554	36	WASHER - 10.5 x 30mm SS
5871251000	554.2	8	WASHER - 10.5mm SS
7201268103	681	2	PLATE WITH SPECK LOGO BG 132
7201270001	701	1	AIR BLEED/CIRCULATION LINE - STAINLESS STEEL
7201270005	701	1	AIR BLEED/CIRCULATION LINE - PLASTIC
5879311150	901	17	SCREW - M10 x 150mm HEX HEAD SS
5879331030	901.2	8	SCREW - M10 x 30mm HEX HEAD SS
5879330610	901.3	2	SCREW - M6 x 10mm HEX HEAD SS
5879391035	902.4	8	STUD BOLT - M10 x 35 SS
5879391640	902.5	4	STUD BOLT - M16 x 40 SS
2923591201	903.4	1	DRAIN PLUG (1/4") - BLACK
7201141240	NOT SHOWN	1	O-RING - 22 x 2mm, NBR
5879120406	914	4	BOLT - HEX M4 x 6 SS
5879341000	920	17	NUT M10 SS
5879341600	920.5	4	NUT M16 SS
7201293100	931	2	LOCKWASHER
7201347100	NOT SHOWN	1	SEAL HOUSING INSERT

REPLACEMENT MOTORS

Order #	MFR #	Model	HP	S.F.	Volts	Frame
THREE SPEED						
1518ET3X110317	1518ET3X110317	100/250 & 125/250	20.0	1.25	208-230/460	160L
2518ET3E070518	2518ET3E070518	125/250	25.0	1.15	208-230/460	180M
3018ET3E070518	3018ET3E070518	125/250	30.0	1.15	208-230/460	180L

10.3 Exploded View

Normblock Multi 65/250



Normblock Multi 65/250

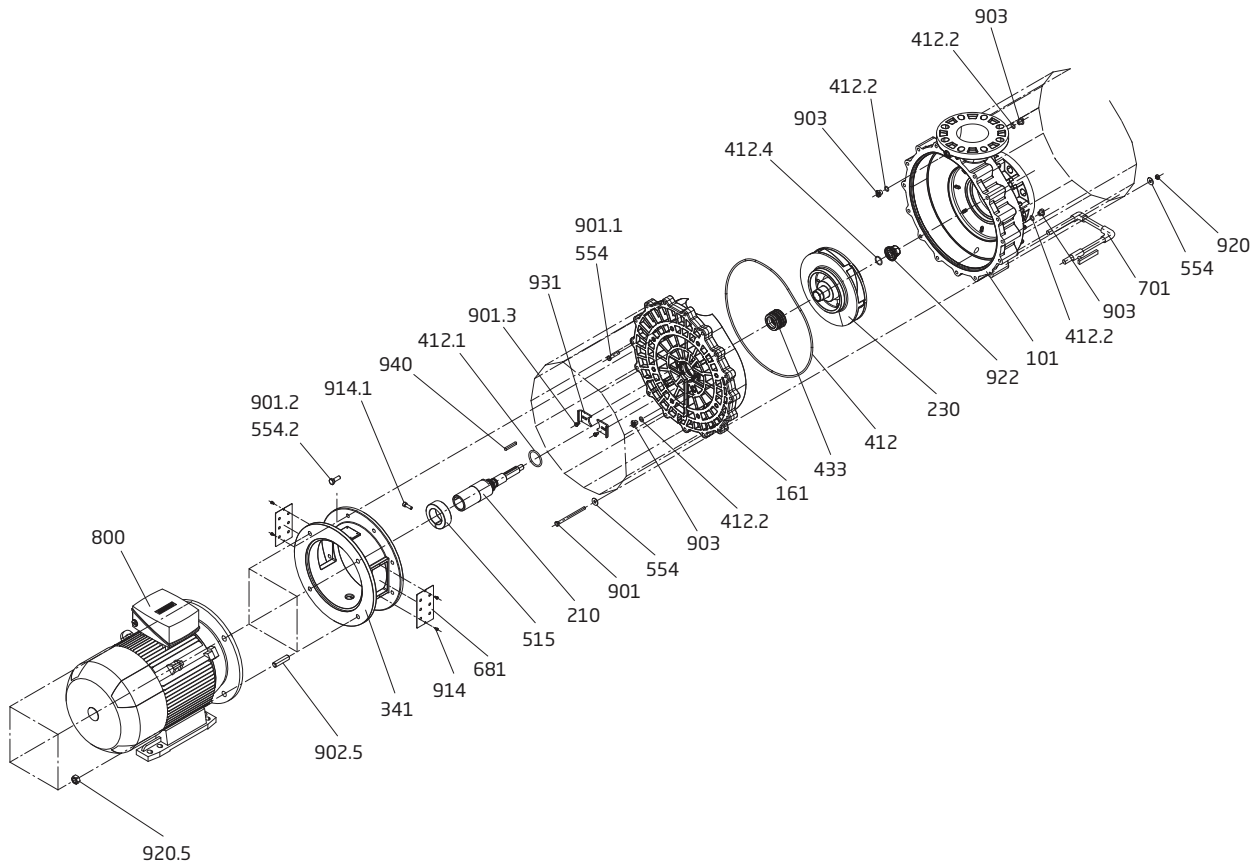
Order #	Drawing Number	Qty Required	Description
7201110111	101	1	CASING CPL
7201116100	161	1	SEAL HOUSING
7201421042	210	1	PUMP SHAFT CPL
7201123000	230	1	IMPELLER (7.5 HP) 225mm
7201123000A	230	1	IMPELLER (10.0 HP) 240mm
7201434140	341	1	MOTOR LANTERN CPL BG 132
7201141201	412	1	O-RING - 355 x 5mm NBR
2923541220	412.2	4	O-RING - 12 x 2.5mm NBR
2711040109	412.4	1	O-RING - 31.5 X 2.5mm
7201143300	433	1	MECHANICAL SEAL (32mm) CPL - CARBON/SiC+EPDM
7201143302	433	1	MECHANICAL SEAL (32mm) CPL - SiC/SiC+EPDM
7201451500	515	1	SUPPORT RING BG 132
5871250800	554	27	WASHER - 8.4mm SS
5871251000	554.2	8	WASHER - 10.5mm SS
7201268103	681	2	PLATE WITH SPECK LOGO BG 132
5879310920	901	13-15	SCREW - M8 x 120mm HEX HEAD SS
5879310865	901.1	1	SCREW - M8 x 65mm HEX HEAD SS
5879331030	901.2	8	SCREW - M10 x 30mm HEX HEAD SS
5879330610	901.3	2	SCREW - M6 x 10mm HEX HEAD SS
5879391225	902.5	4	STUD BOLT - M12 x 25 SS
2923591201	903	4	DRAIN PLUG - BLACK 1/4"
7201141240	NOT SHOWN	1	O-RING - 22 x 2mm, NBR
5879120406	914	4	BOLT - HEX M4 x 6 SS
5819120826	914.1	1	SCREW - M8x 25mm
5879340800	920	13-15	NUT M8 SS
5879341200	920.5	4	NUT M12 SS
7021192200	922	1	IMPELLER NUT WITH INSERT
5878850664	940	1	KEY 6 x 6 x 40
7363409031	NOT SHOWN	1	STRAINER TANK & HARDWARE - OPTIONAL

REPLACEMENT MOTORS

Order #	MFR #	Model	HP	S.F.	Volts	Frame
THREE SPEED						
518ET3EAL072017	518ET3EAL072017	65/250	7.5	1.25	208-230/460	AL132S
718ET3EAL072017	718ET3EAL072017	65/250	10.0	1.25	208-230/460	AL132M

10.3 Exploded View

Normblock Multi 100/250



Normblock Multi 100/250

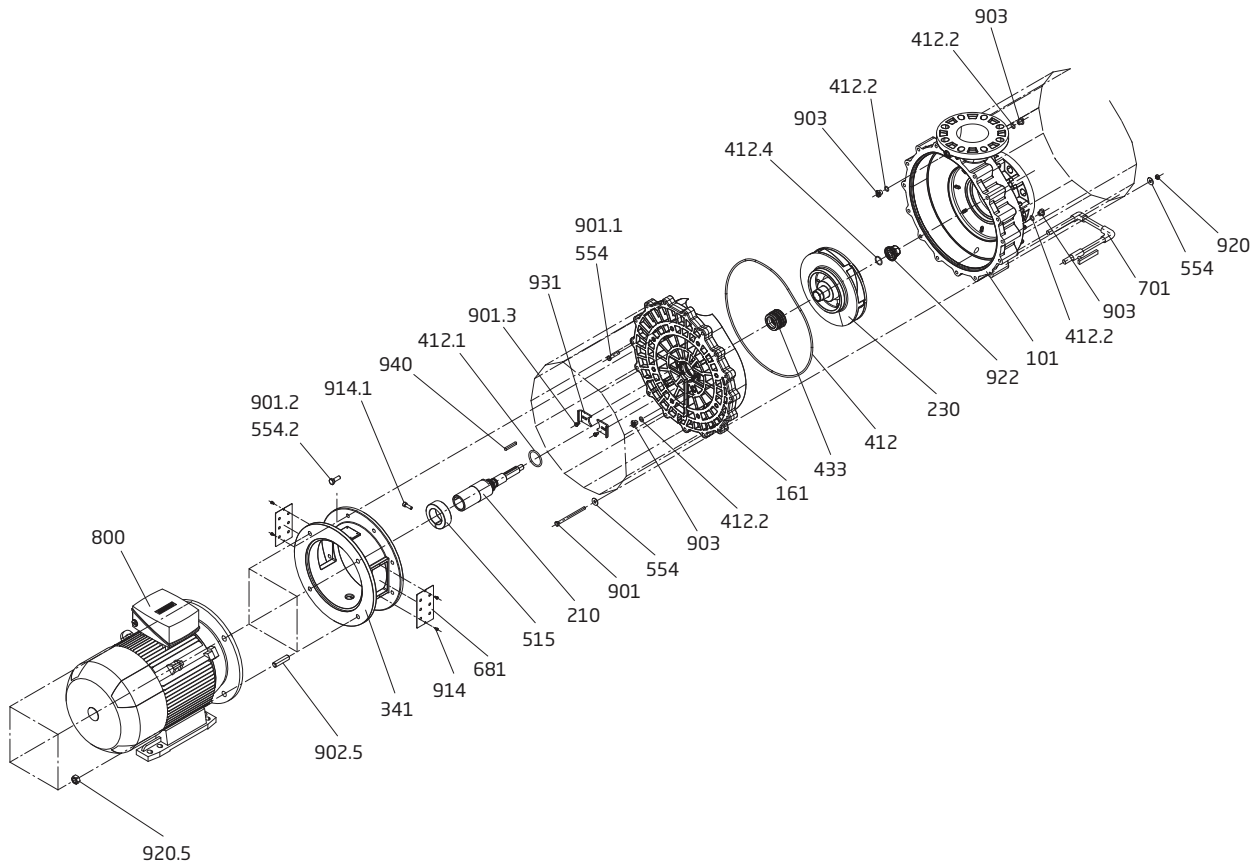
Order #	Drawing Number	Qty Required	Description
7201210106	101	1	CASING CPL
7201216101	161	1	SEAL HOUSING
7201421041	210	1	PUMP SHAFT CPL
7201223000	230	1	IMPELLER (100/250 - 15.0 HP) 220mm
7201223000A	230	1	IMPELLER (100/250 - 20.0 HP) 240mm
7201434141	341	1	MOTOR LANTERN CPL BG 132
7201241201	412	1	O-RING - 375 x 5mm NBR
2923541220	412.2	4	O-RING - 12 x 2.5mm NBR
7201241200	412.4	1	O-RING - 37.5 x 2.65mm NBR
1913314342	433	1	MECHANICAL SEAL (38mm) CPL - CARBON/SiC+EPDM
1913314339	433	1	MECHANICAL SEAL (38mm) CPL - SiC/SiC+EPDM
7201451500	515	1	SUPPORT RING BG 132
5879021080	554	31	WASHER - 8.4mm SS
5871251000	554.2	8	WASHER - 10.5mm SS
7201268103	681	2	PLATE WITH SPECK LOGO BG 132
5879310920	901	13-15	SCREW - M8 x 120mm HEX HEAD SS
5879310840	901.1	1	SCREW - M8 x 40mm HEX HEAD SS
5879331030	901.2	8	SCREW - M10 x 30mm HEX HEAD SS
5879330610	901.3	2	SCREW - M6 x 10mm HEX HEAD SS
5879391640	902.5	4	STUD BOLT - M16 x 40 SS
2923591201	903	4	DRAIN PLUG - BLACK 1/4"
5879120406	914	4	BOLT - HEX M4 x 6 SS
5879340800	920	13-15	NUT M8 SS
5879341600	920.5	4	NUT M16 SS
7201292200	922	1	IMPELLER NUT WITH INSERT
5878850671	940	1	KEY 6 x 6 x 50
5878850879	940	1	KEY 8 x 7 x 63
7319B05008	NOT SHOWN	1	STRAINER TANK & HARDWARE - OPTIONAL

REPLACEMENT MOTORS

Order #	MFR #	Model	HP	S.F.	Volts	Frame
THREE SPEED						
1118ET3E072017	1118ET3E072017	100/250	15.0	1.25	208-230/460	160M
1518ET3X110317	1518ET3X110317	100/250 & 125/250	20.0	1.25	208-230/460	160L

10.3 Exploded View

Normblock Multi 100/250



Normblock Multi 125/250

Order #	Drawing Number	Qty Required	Description
7201310106	101	1	CASING CPL
7201347102	161	1	SEAL HOUSING
7201321040	210	1	PUMP SHAFT CPL
7201321041	210	1	PUMP SHAFT CPL
7201323000/235	230	1	IMPELLER (20.0 HP) 235mm
7201323000/245	230	1	IMPELLER (25.0 HP) 245mm
7201323000/255	230	1	IMPELLER (30.0 HP) 255mm
7201434141	341	1	MOTOR LANTERN CPL BG 132
7201341000	NOT SHOWN	1	GASKET - SEAL HOUSING 440 x 6mm NBR
7201341240	412.1	1	O-RING - 30 x 2mm NBR
2923541220	412.2	4	O-RING - 12 x 2.5mm NBR
2620001015	NOT SHOWN	1	O-RING - 117 x 4mm NBR
7201343300	433	1	MECHANICAL SEAL (45mm) CPL - CARBON/SiC+EPDM
7201343302	433	1	MECHANICAL SEAL (45mm) CPL - SiC/SiC+EPDM
7201451500	515	1	SUPPORT RING BG 132
5879021100	554	36	WASHER - 10.5 x 30mm SS
5871251000	554.2	8	WASHER - 10.5mm SS
7201268103	681	2	PLATE WITH SPECK LOGO BG 132
5879311150	901	17	SCREW - M10 x 150mm HEX HEAD SS
5879331030	901.2	8	SCREW - M10 x 30mm HEX HEAD SS
5879330610	901.3	2	SCREW - M6 x 10mm HEX HEAD SS
5879391640	902.5	4	STUD BOLT - M16 x 40 SS
2923591201	903	4	DRAIN PLUG - BLACK 1/4"
5879120406	914	4	BOLT - HEX M4 x 6 SS
5879341000	920	17	NUT M10 SS
5879341600	920.5	4	NUT M16 SS
7201347100	NOT SHOWN	1	SEAL HOUSING INSERT

REPLACEMENT MOTORS

Order #	MFR #	Model	HP	S.F.	Volts	Frame
THREE SPEED						
1518ET3X110317	1518ET3X110317	100/250 & 125/250	20.0	1.25	208-230/460	160L
2518ET3E070518	2518ET3E070518	125/250	25.0	1.15	208-230/460	180M
3018ET3E070518	3018ET3E070518	125/250	30.0	1.15	208-230/460	180L

11 Index

C

Commissioning 28

D

Decommissioning 28

Disposal 45

E

Electrical connection 26

F

Faults 12, 31

Frost 14

I

Installation 23, 25

Intended use 9

M

Maintenance 36

Mechanical seal 31

misuse 9

O

Other applicable documents 7

P

pipe 12, 24, 25

S

Spare parts 10

Storage 21

T

Technical data 46

Transport 19

W

Warranty 44